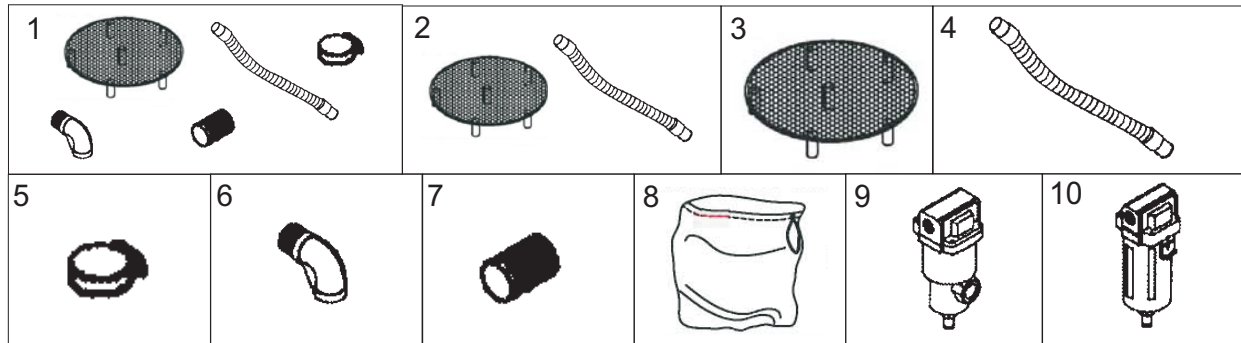


# Depressor Kit for Poly Liners

ATEX 100a Directive 94/9/EC



1	214240 214245	Depressor Kit for poly liner (complete). For EUR-50 EX, FRS-15 EX series & SS-15 EX (AFS & RPS) Depressor Kit for poly liner (complete). For models FRS-26/40 EX series and SS-40 EX (AFS & RPS)	
2	214106 214248	Depressor Kit for poly liner recovery bag. For model TVSS-100 EX (MFS) Depressor Kit for poly liner recovery bag. For models EXP1-10 (DT) MFS & MRP, EXP1-20 DT (MFS), SS-10 (DT) MFS & MRP, SS-20 DT (MFS), AVSD -20 (DT) MFS and EUR-25 EX	
3	213050B 213898B	Depressor Screen ø378mm. Stainless Steel. For FRS-15 EX Series Depressor Screen ø565mm. Stainless Steel. For FRS-26/40 EX Series	
4	250012 250010	Hose Cuff, ø25mm, Static Conductive, black Crushproof Suction Hose, ø25.4mm, Static Conductive (no wire), black	
5	500159	Clamp, size 32, for hose end	
6	211685	Street Elbow, ø19mm, Stainless Steel	
7	212940	Nipple, ø19mm NPT x 50mm LG, Stainless Steel	
8	212100CS 212100DS 212101A 212103A 212106A 214987	Poly Liner Recovery Bag. For model EUR-25 EX Poly Liner Recovery Bag. For model EUR-50 EX Poly Liner Recovery Bag with draw string for the recovery of fine dust. Static dissipating. For models FRS-15 EX series and SS-15 EX (AFS & RPS) Poly Liner Recovery Bag with draw string for the recovery of fine dust. Static dissipating, For models FRS-16/40 EX series and SS-40 EX (AFS & RPS) Poly Liner Recovery Bag. Static dissipating. For model TVSS-100 EX (MFS) Poly Liner Recovery Bag with draw string. For model AVSD-20 (DT) MFS	

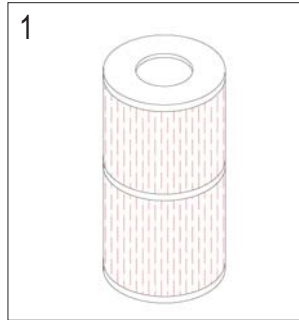
## Water and Oil Separators for Filtration Recovery System (FRS)

ATEX 100a Directive 94/9/EC

8	214200	Water Separator, ø19mm	
9	214194	Oil Separator, ø12.5mm	

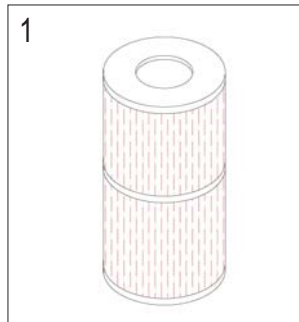
THE ABOVE PRICES ARE EXPRESSED IN € EURO FOB BOLOGNA, ITALIA - PRICES SUBJECT TO CHANGE WITHOUT NOTICE

**CATRIDGES FOR REVERSE PULSE AND REVERSE PURGE  
CAN BE USED IN ZONE 1-2 (GAS) ZONE 21-22 (DUST) ,  
ZONE 21-22 (DUST) AND ZONE 22 (DUST) ONLY**



1	213436	Filter Cartridge, made of conductive spun bond polyester, 66.04cm High x 9.83cm OD x 24.08cm ID. For model CD-10 EX (RPS)	
	213651	Filter Cartridge, made of conductive spun bond polyester, 40.64cm High x 21.27cm ID x 32.39cm OD. For models CD-5 (APS), CS-7 (APS) and EUR-50 EX (MRP)	
	214181	Filter Cartridge, made of conductive spun bond polyester w/PTFE membrane, 40.64 cm High x 9.22cm ID x 20.15cm OD. For models CD-3 EX (MRP), EXP1/SS-10 DT (MRP) and EUR-25 EX (MRP)	
	214212	Filter Cartridge, made of conductive spun bond polyester w/PTFE membrane, 40.64cm High x 21.27cm ID x 32.39cm OD. For models SS-15 EX (RPS) and SS-40 EX (RPS)	
	214213	Filter Cartridge, made of conductive spun bond polyester w/PTFE membrane, 66.04cm High x 21.27cm ID x 32.39cm OD. For models CD-5 EX (RPS), CD-7 EX (RPS) and FRS-15 EX (RPS)	
	214216	Filter Cartridge, made of conductive spun bond polyester w/PTFE membrane, 40.64cm High x 24.08cm ID x 35.05cm OD. For Models FRS-26/40 EX (RPS)	

**CATRIDGES FOR REVERSE PULSE AND REVERSE PURGE  
CAN BE USED IN ZONE 2 (GAS) AND ZONE 22 (DUST) ONLY**



1	213435	Filter Cartridge, made of spun bond polyester, 66.04cm High x 9.83cm ID x 24.08cm OD. For model CD-15000 (RPS)	
	214179	Filter Cartridge, made of spun bond polyester with PTFE membrane, 40.64cm High x 9.22cm ID x 20.15cm OD. For model ETD-11 (MRP)	
	214210	Filter Cartridge, made of spun bond polyester with PTFE membrane, 40.64cm High x 21.27cm ID x 32.39cm OD. For model ETD-17 (MRP)	
	214211	Filter Cartridge, made of spun bond polyester with PTFE membrane, 40.64cm High x 21.27cm ID x 32.39cm OD. For models CD-10000 (RPS) and ETD-17 (RPS)	

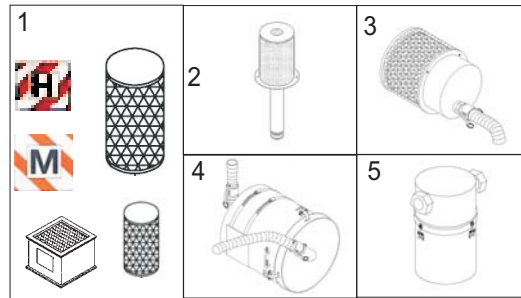
SD\* - Static Dissipating

S/S\*\* - Stainless Steel AISI 304

SC\*\*\* - Static Conductive

**THE ABOVE PRICES ARE EXPRESSED IN € EURO FOB BOLOGNA, ITALIA - PRICES SUBJECT TO CHANGE WITHOUT NOTICE**

## FILTRATION ACCESSORIES - CAN BE USED IN ZONE 1-2 (GAS) ZONE 21-22 (DUST), ZONE 21-22 (DUST) AND ZONE 22 (DUST) ONLY



1	211027B  213183 212202  212203 211027 211025 212304	<p><b>HEPA Filter - H14 - efficiency of 99.995% on 0.3 µm as per EN 1822. Once installed the vacuum cleaner meets Class M standards.</b></p> <p>HEPA Filter. For models EXP1/SS-10 (DT) MFS/MRP, EXP1/SS-10 (4W) MRAC, EXP1/SS-20 DT (MFS), EXP1/SS-10/15/25/55 RE HEPA, EXP1/SS-10 CR series, EXP1/SS-25 (IT) RE HEPA, TVSS-100 EX (MFS) SS-15/40 EX (AFS/RPS), CS-14/27 RE HEPA, CS-55 (TC) series and EUR-25/50 EX (2.2kW)</p> <p>HEPA Filter. For models CD-5/7/10</p> <p>HEPA Filter. For models EUR-50 EX (MFS) with 4 kW motor</p> <p><b>ULPA Filter - U15 - efficiency of 99.9995% on 0.18 µm as per EN 1822. Once installed the vacuum cleaner meets Class H standards.</b></p> <p>ULPA Filter. For models CD-2 EX CR, CD-2600 EX CR AND CD-3 EX ULPA</p> <p>ULPA Filter. For models CD-1 EX CR, EXP1/SS-10 CR series AND SS-15/40 EX (AFS/RPS)</p> <p>ULPA Filter. For models EXP1/SS-15/25/55 (TC) TE</p> <p>ULPA Filter. For model AVSD-20 (DT) MFS</p>	
2	214968B  214968A	<p><b>HEPA Filter Assembly includes HEPA Filter and support tube and plate.</b></p> <p>HEPA Filter Assembly. For models EUR series</p> <p>HEPA Filter Assembly. For models CD-1 EX CR</p> <p>HEPA Filter Assembly. For models CD-2600 EX CR</p> <p>HEPA Filter Assembly. For models CD-2 EX CR</p> <p>HEPA Filter Assembly. For models CD-3 EX</p> <p><b>ULPA Filter Assembly includes HEPA Filter and support tube and plate.</b></p> <p>ULPA Filter Assembly. For models EUR</p> <p>ULPA Filter Assembly. For models CD-1 EX</p> <p>ULPA Filter Assembly. For models CD-2600 EX</p> <p>ULPA Filter Assembly. For models CD-2 EX CR</p> <p>ULPA Filter Assembly. For models CD-3 EX</p>	
3	213816 213818	<p>HEPA Filter and Downstream Housing Assembly, S/S**. For models CD-5/7 with ø64mm attachment</p> <p>HEPA Filter and Downstream Housing Assembly, S/S**. For model CD-10 with ø100mm attachment</p>	
4	213817 213819	<p>HEPA Filter and Upstream Housing Assembly, S/S**. For models CD-5/7 models with ø64mm attachment</p> <p>HEPA Filter and Upstream Housing Assembly, S/S**. For model CD-10 with ø100mm attachment</p>	
5	214779	<p>Coalescing Filter Element Assembly. For model CD-3 (IT-CFE)</p> <p>Housing for Coalescing Filter Element only. For model CD-3 (IT0CFE)</p> <p>Coalescing Filter Element only - Efficiency of 99.97% on 0.3 micron. For moisture &amp; oil (traps vapors &amp; fumes). Downstream location. For model CD-3 (IT-CFE)</p>	

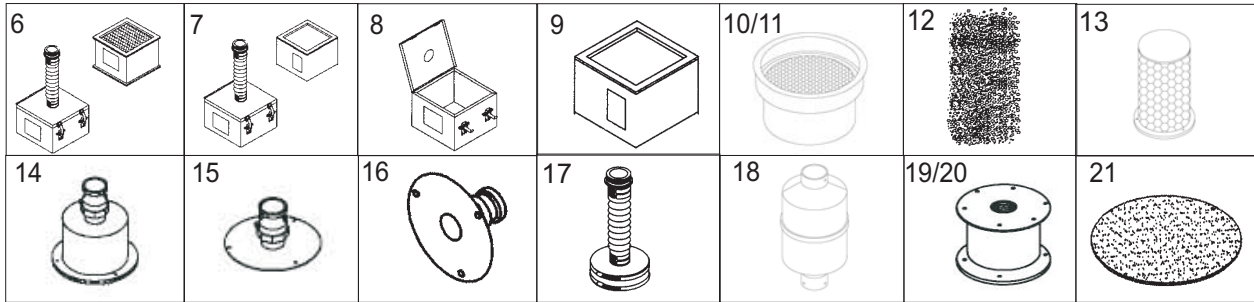
SD\* - Static Dissipating

S/S\*\* - Stainless Steel AISI 304

SC\*\*\* - Static Conductive

**THE ABOVE PRICES ARE EXPRESSED IN € EURO FOB BOLOGNA, ITALIA - PRICES SUBJECT TO CHANGE WITHOUT NOTICE**

## FILTRATION ACCESSORIES - CAN BE USED IN ZONE 1-2 (GAS) ZONE 21-22 (DUST) , ZONE 21-22 (DUST) AND ZONE 22 (DUST) ONLY



6	211022	Assembled Filter Housing Box with HEPA/ULPA Filter, S/S**	
7	211046	Assembled Filter Housing Box with Activated Carbon Filter, S/S**	
8	211026	Filter Housing Box for HEPA/ULPA Filter or Carbon Filter	
9	211045	Replacement Activated Carbon Filter Cartridge for the adsorption of contaminant vapors and odors	
10	213348B	Carbon Cartridge with 8 KG of 3mm regular carbon. For model CD-2 (MRAC)	
	213348C	Carbon Cartridge with 8 KG of 3mm Mersorb brand carbon for mercury vapors. For model CD-2 (MRAC)	
	213348K	Carbon Cartridge with 8 KG of 3mm Kina 3 brand carbon for chloride and acid vapors (JF, HCL, etc.)	
	213348L	Carbon Cartridge with 8 KG of 3mm Nusorb A-3 brand carbon for arsine and phosphine. Also suitable for certain types of acid vapors. For model CD-2 (MRAC)	
11	212200B	Carbon Cartridge with 8 KG of 3mm regular carbon. For model CD-3 (MRAC)	
	212200C	Carbon Cartridge with 8 KG of 3mm Mersorb brand carbon for mercury vapors. For model CD-3 (MRAC)	
	212200K	Carbon Cartridge with 8 KG of 3mm Kina 3 brand carbon for chloride and acid vapors (JF, HCL, etc.)	
	212200L	Carbon Cartridge with 8 KG of 3mm Nusorb A-3 brand carbon for arsine and phosphine. Also suitable for certain types of acid vapors. For model CD-3 (MRAC)	
12	211044C	Activated Carbon, 25 KG of 4mm, regular type. Other types of carbon available upon request	
13	212496A	Housing for HEPA/ULPA Filter with 50mm male camlock. Allows for an exhaust hose to be used in conjunction with HEPA/ULPA Filter #211027. S/S**	
14	213004	Housing for HEPA/ULPA Filter with 50mm camlock. Allows for an exhaust hose to be used in conjunction with HEPA/ULPA Filter # 212203. S/S**	
	213005	Housing for HEPA/ULPA Filter with 50mm male camlock venting exhaust, with gasket, S/S**	
15	213035	Adaptor plate with 50mm male camlock. Allows for an exhaust hose to be used with the vacuum cleaner without using ULPA Filter. S/S**	
16	213034	Exhaust Adaptor plate for use with RE Series, converts exhaust to 50mm male camlock. HEPA Filter Housing and HEPA Filter must be removed. S/S**	
17	211047	Exhaust connector, 50mm to 152mm. For single exhaust, S/S**	
18	213528	Exhaust silencer, S/S**	
19	214735	Muffler assembly with sound insulating foam. S/S**. For models EUR 25/50 EX (MFS)	
	214739	Muffler assembly with sound insulating foam. S/S**. For model CD-3 EX	
20	214734	Housing muffler for RE exhaust system	
21	213048	Replacement Foam Filters for AC-25 (4W). Set of 2. Disposable	

SD\* - Static Dissipating

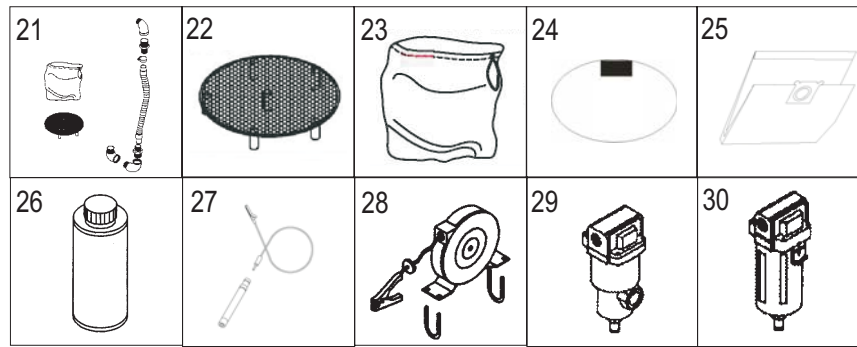
S/S\*\* - Stainless Steel AISI 304

SC\*\*\* - Static Conductive

**THE ABOVE PRICES ARE EXPRESSED IN € EURO FOB BOLOGNA, ITALIA - PRICES SUBJECT TO CHANGE WITHOUT NOTICE**

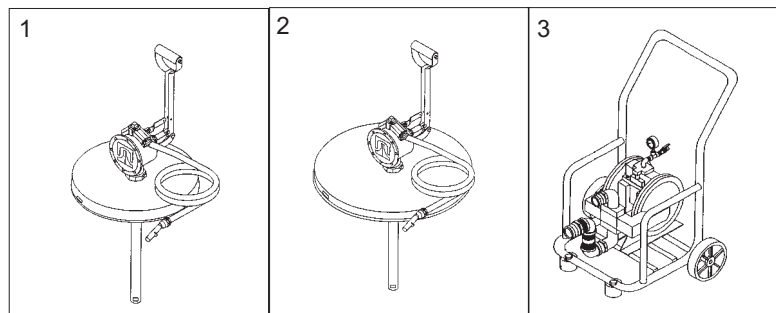
## ACCESSORIES

### CAN BE USED IN ZONE 1-2 (GAS) ZONE 21-22 (DUST) , ZONE 21-22 (DUST) AND ZONE 22 (DUST) ONLY



21	214106	Depressor kit for poly liner recovery bag, includes steel grid and connection tube. For models HLMT-60/100 (DT) MFS and TVSS-100 EX (MFS)	
	214240	Depressor kit for poly liner recovery bag. For models FRS-15 EX series, SS-15 EX series & EUR-50 EX	
	214245	Depressor kit for poly liner recovery bag. For models FRS-26/40 EX series and SS-40 EX series	
	214248	Depressor kit for poly liner recovery bag. For models EXP1/SS-10 DT (MFS/MRP), EXP1/SS-20 (DT) MFS AVSD-20 (DT) MFS, HLMT Series, HLMT-20 DT (MFS), EUR-25 EX and BLSD-20L DT (MFS)	
22	213050B	Depressor screen, ø378mm, S/S**.	
	213898B	Depressor screen, ø565mm, S/S**.	
23	212100A	Poly liner recovery bag, SD*. For models EUR 40, EXP1/SS-10 (4W) RE HEPA, EXP1/SS-10 CR and EXP1/SS-10 (MRAC)	
	212100B	Poly liner recovery bag, SD*. For models EXP1/SS-15 RE HEPA and EXP1/SS-15 CR series	
	212100C	Poly liner recovery bag, SD*. For models CD-3 EX (MFS) and EXP1/SS-10 DT (MFS/MRP)	
	212100CS	Poly liner recovery bag, SD*. For model EUR-50 EX	
	212100DS	Poly liner recovery bag with drawstring, SD*. For model EXP1/SS-20 DT (MFS) RE HEPA, HLMT EX Series and EUR-25 EX	
	212101A	Poly liner recovery bag with drawstring, SD*. For models FRS-15 EX series and SS-15 EX series	
	212102A	Poly liner recovery bag, SD*. For models EXP1/SS-25 (TC) RE HEPA and EXP1/SS-25 (IT) RE HEPA	
	212102B	Poly liner recovery bag, SD*. For models EXP1/SS-55 (TC) RE HEPA	
	212103A	Poly liner recovery bag with drawstring, SD*. For models FRS-40 EX series AND ss-40 EX series	
	212106A	Poly liner recovery bag, SD*. For models HLMT-60/100 DT (MFS) and TVSS-100 EX (MFS)	
	214987	Poly liner recovery bag with drawstring. For models AVSD-20 DT (MFS), HLMT-20 DT (MFS) & BLSD-20 DT	
24	213780	Poly liner retainer plate with clip, re-usable	
25	211028	Latex Paper Filter bags with microliner. (Pkg of 5). For models AVSD-20 DT (MFS) & BLSD-20 DT (MFS)	
	212500	Disposable filter bag. (Package of 5). For model CD-1 EX (DFB)	
26	211701	De-foaming liquid, 909 ml	
27	211065	Ground continuity tester (batteries not included)	
28	211191	Grounding reel with 15.2m stainless steel cable	
29	214200	Water Separator, ø19mm	
30	214194	Oil Separator, ø12.5mm	

### MANUAL OR AIR OPERATED PUMPS CAN BE USED IN ZONE 1-2 (GAS) ZONE 21-22 (DUST) , ZONE 21-22 (DUST) AND ZONE 22 (DUST) ONLY



1	212638	Manual Pump with lid for 50 and 68 litre models	
	212640	Manual Pump with lid for 180 litre models	
	211934	Air-operated Diaphragm Pump Assembly with cart. Includes nitrile suction discharge hoses and discharge deflector	

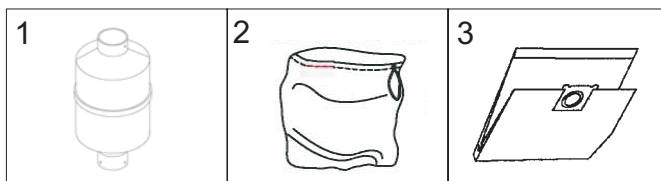
SD\* - Static Dissipating

S/S\*\* - Stainless Steel AISI 304

SC\*\*\* - Static Conductive

**THE ABOVE PRICES ARE EXPRESSED IN € EURO FOB BOLOGNA, ITALIA - PRICES SUBJECT TO CHANGE WITHOUT NOTICE**

## ACCESSORIES CAN BE USED IN ZONE 2 (GAS) ZONE 22 (DUST) ONLY



1	214352A	Exhaust Silencer for CD-1500, ABS type	
2	214830 214832 212370 212376	Poly liner recovery bags for CD-1500 (MCF) (Package of 5) Poly liner recovery bags for CD-1500 (DFB) (Package of 5) Poly liner recovery bags for CS-14 (4W) (Package of 5) Poly liner recovery bags for CS-27 (TC) (Package of 5)	
3	212994	Paper filter bags for CS-14 (4W) (Package of 5)	

SD\* - Static Dissipating

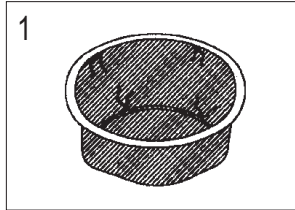
S/S\*\* - Stainless Steel AISI 304

SC\*\*\* - Static Conductive

**THE ABOVE PRICES ARE EXPRESSED IN € EURO FOB BOLOGNA, ITALIA - PRICES SUBJECT TO CHANGE WITHOUT NOTICE**

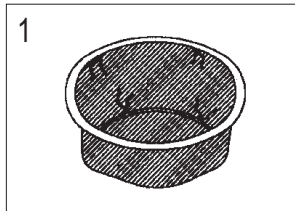


**MAIN CLOTH FILTERS**  
**CAN BE USED IN ZONE 1-2 (GAS) ZONE 21-22 (DUST) ,**  
**ZONE 21-22 (DUST) AND ZONE 22 (DUST) ONLY**



1	211013	Main Filter Assembly, SD*, polyester with fluorocarbon treatment. For models CD-3 EX (MRAC & W/D), EXP1/SS-10 (MRAC), EXP1/SS-10/15/25 (RE), EXP1/SS 15/25 (TE) and EXP1/SS-25 (IT)	
	211013A	Main Filter Assembly, SD*, polyester fluorocarbon treatment, with laces. For models HLMT-20 EX (MFS) and EXP1/SS-10 (DT) MFS	
	211013B	Main Filter Assembly, SD*, with stainless steel ring. For models EXP1/SS-10 CR series	
	211019	Main Filter Assembly, SD*, polyester w/fluorocarbon treatment. For models EXP1/SS-55 (RE) & (TE) series	
	212809A	Main Filter with laces, SD*, polyester with fluorocarbon treatment. For models CD-1 EX (DFB) and CD-2 EX series	
	214502	Main Filter only, SD*, polyester with fluorocarbon treatment, with clamp. For models FRS-15 (AFS) and SS-15 (AFS)	
	214509	Main Filter only, SD*, polyester with fluorocarbon treatment, with clamp. For model FRS-26/40 (AFS) and SS-26/40 (AFS)	
	214555	Main Filter, SD*, polyester with fluorocarbon treatment, with clamp. For models ETD-17 (MRP) and FRS-15 (MFS)	
	214567	Main Filter only, SD*, polyester with fluorocarbon treatment, with clamp. For models HLMT-60/100 DT (MFS) and TVSS-100 EX (MFS)	
	214690A	Main Filter Assembly with laces, SD*, polyester with fluorocarbon treatment. Includes filter support ring. For model CD-3 EX (MFS)	
	214883A	Main Filter Assembly with laces, gasket and ring. Polyester. For model AVSD-20 DT (MFS), HLMT-20 DT (MFS) and BLSD_20L DT (MFS)	
	214883AT		
	215194	Main Filter Assembly w/laces, gasket & ring. PTFE laminated polyester felt. For models AVSD-20 DT (MFS) and BLSD-20L DT (MFS)	
	215177A	Main Filter. For model AVSD-35 (STD)	
		Main Filter Assembly with gasket and ring, with laces. SD*. For model EXP1/SS-20 DT (MFS)	

**MAIN CLOTH FILTERS**  
**CAN BE USED IN ZONE 2 (GAS) AND ZONE 22 (DUST) ONLY**



1	211020	Main Filter. For model CS-55 (TC)	
	212003A	Main Filter Assembly with laces for Filter Cage. For models CS-14 and CS-27	
	212803AT	Main Filter with laces, PTFE laminated polyester felt. For models CD-1500 CR Series	

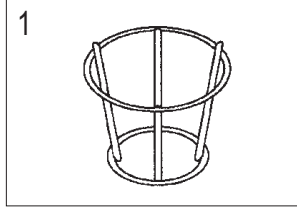
**SD\* - Static Dissipating**

**S/S\*\* - Stainless Steel AISI 304**

**SC\*\*\* - Static Conductive**

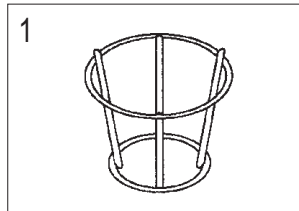
**THE ABOVE PRICES ARE EXPRESSED IN € EURO FOB BOLOGNA, ITALIA - PRICES SUBJECT TO CHANGE WITHOUT NOTICE**

**CAGES FOR MAIN CLOTH FILTERS  
CAN BE USED IN ZONE 1-2 (GAS) ZONE 21-22 (DUST),  
ZONE 21-22 (DUST) AND ZONE 22 (DUST) ONLY**



1	214394 214514 214518 214563 214686 212408A 212734A 213386A 214880B	Wire Cage for Main Filter, S/S**. For models FRS-15 (AFS) and SS-15 EX (AFS) Filter Cage, internal, S/S**. For models FRS-26/40 (AFS) and SS-26/40 (AFS) Filter Cage, S/S**. For models FRS-26/40 (AFS) and SS-26/40 (AFS) Wire Cage, S/S**. For model FRS-15 (MFS) Cage for Main Filter, S/S**. For model CD-3 EX (MFS) Cage for Main Filter, electropolished, S/S**. For models CD-2 EX Series Wire Cage for Main Filter, electropolished, S/S**. For models EXP1/SS-10 DT (MFS) Cage for Main Filter, electropolished, S/S**. For models CD-1 EX (DFB) and CD-1500 CR Series Cage for Main Filter, powder coated. For models EXP1-20 DT (MFS), AVSD-20 DT (MFS), HLMT-20 DT (MFS) and BLSD-20L Dt (MFS)	
---	--	--	--

**CAGES FOR MAIN CLOTH FILTERS  
CAN BE USED IN ZONE 2 (GAS) AND ZONE 22 (DUST) ONLY**



1	213186B	Cage for Main Filter, powder coated. For models CS-11 (MFS/MRP), CS-14 and CS-27	
---	---------	--	--

SD\* - Static Dissipating

S/S\*\* - Stainless Steel AISI 304

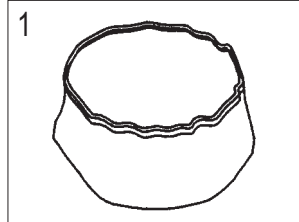
SC\*\*\* - Static Conductive

**THE ABOVE PRICES ARE EXPRESSED IN € EURO FOB BOLOGNA, ITALIA - PRICES SUBJECT TO CHANGE WITHOUT NOTICE**



## PRE-FILTERS

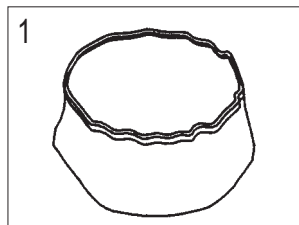
### CAN BE USED IN ZONE 1-2 (GAS) ZONE 21-22 (DUST), ZONE 21-22 (DUST) AND ZONE 22 (DUST) ONLY



1	212008	Pre-Filter Assembly, SD*, polyester with PTFE treatment. For models CD-3 EX (MRAC & W/D), EXP1/SS-10 (MRAC), EXP1/SS-10/15/25 RE and EXP1/SS-25 (IT) - <b>NSN # 7910-01-534-2530</b>	
	212108	Pre-Filter Assembly, SD*, polyester with PTFE treatment. For models EXP1/SS-55 (RE)	
	212813	Pre-Filter Assembly with ring, SD*, polyester with PTFE treatment. For models CD-2 EX CR (MRAC & W/D)	
	213026	Pre-Filter Assembly with snaps, SD*, polyester with PTFE treatment. For models HLMT-60/100 DT (MFS) and EXP1/SS-10 DT (MFS)	
	213151	Pre-Filter with snaps, SD*, polyester with PTFE treatment. For model CD-2 EX CR (MFS)	
	214154	Pre-Filter Assembly. SD*. For model TVSS-100 EX (MFS)	
	214884	Pre-Filter Assembly. SD*. For model HLMT-20 EX DT (MFS)	
	215179	Pre-Filter Assembly with elastics. For Model EXP1-20 DT (MFS) and HLMT-20 EX DT (MFS)	
	212008B	Pre-Filter Assembly with stainless steel ring, SD*. For models EXP1/SS-10/15 CR series	

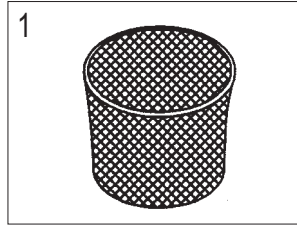
## PRE-FILTERS

### CAN BE USED IN ZONE 2 (GAS) AND ZONE 22 (DUST) ONLY



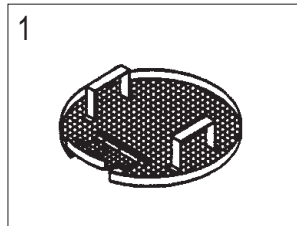
1	211021	Dralon Pre-Filter. For models CS-55 Series	
	212057	Dralon Pre-Filter For models CS-14/27 RE HEPA	

**LIQUID FILTERS**  
**CAN BE USED IN ZONE 1-2 (GAS) ZONE 21-22 (DUST) ,**  
**ZONE 21-22 (DUST) AND ZONE 22 (DUST) ONLY**



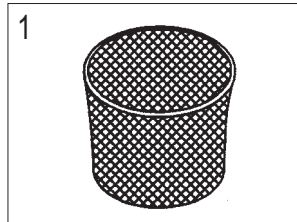
1	211010	Liquid Filter Assembly, SD*, made of stainless steel mesh. For models CD-3 EX (MRAC & W/D), EXP1/SS-10 (MRAC), EXP1/SS-10/15/25 (RE), EXP1/SS-15/25 (TE) and EXP1/SS-25 (IT/HRS/AC)	
	211016	Liquid Filter Assembly, SD*, made of stainless steel mesh. For models EXP1/SS-55 (RE) and EXP1/SS-55 (TE)	
	211010B	Liquid Filter Assembly with stainless steel ring, SD*. For models EXP1/SS-10/15 CR series	

**STRAINER BASKETS**  
**CAN BE USED IN ZONE 1-2 (GAS) ZONE 21-22 (DUST) ,**  
**ZONE 21-22 (DUST) AND ZONE 22 (DUST) ONLY**



1	211795	Strainer Basket. For models EXP1/SS-15/25 (TC) TE	
	211796	Strainer Basket. For models EXP1/SS-55 (TC) TE	

**PRE-FILTERS**  
**CAN BE USED IN ZONE 2 (GAS) AND ZONE 22 (DUST) ONLY**



1	211017	Liquid Filter. For model CS-55	
---	--------	--------------------------------	--

**SD\* - Static Dissipating**

**S/S\*\* - Stainless Steel AISI 304**

**SC\*\*\* - Static Conductive**

**THE ABOVE PRICES ARE EXPRESSED IN € EURO FOB BOLOGNA, ITALIA - PRICES SUBJECT TO CHANGE WITHOUT NOTICE**