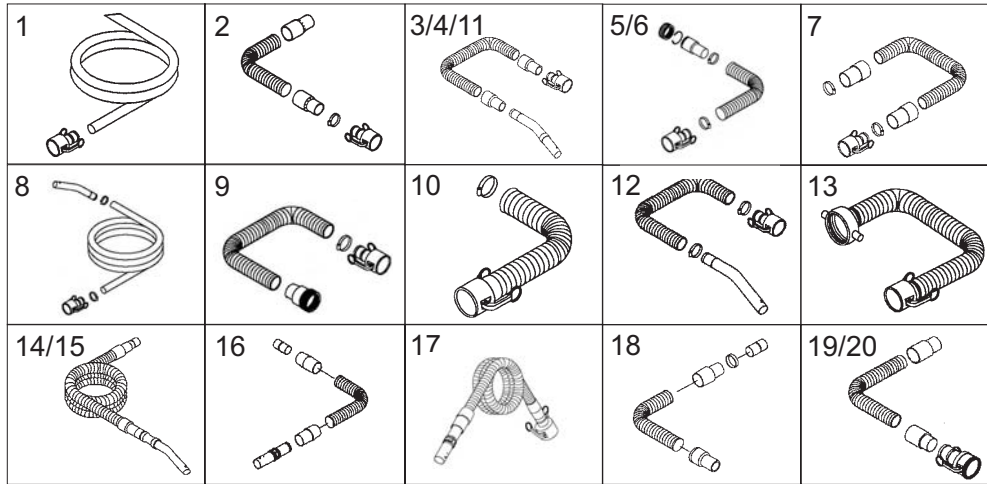


OPTIONAL HOSE ASSEMBLIES TO BE USED WITH CLEANROOM VACUUM CLEANER SYSTEMS



1	212211	Clear Urethane suction hose with smooth interior and exterior. ø25mm x 2.4m. For use with mercury separator	
2	212215	Clear Urethane suction hose assembly with ø38mm PVC camlock on one end and ø38mm hose cuff on the other end. 3m. For MRV-15 Series and MRV-16 (4W) SS	
3	323403	Clear Urethane suction hose with S/S** ends. SD*. Abrasion resistant, very flexible and light weight. ø32mm x 3m. For CWR models with stainless steel recovery tanks	
4	323404	Clear Urethane suction hose. Abrasion resistant, very flexible and light weight. ø32mm x 3m. For CWR models with polyethylene recovery tanks	
5	381427	Clear Urethane suction hose with S/S** female camlock and S/S** female screw type. SD*. ø38mm x 3.8m. For CD-1500 Series	
6	381427B	Clear Urethane suction hose assembly with ø38mm S/S** female screw type connector for ø38mm accessories and S/S** female camlock. SD*. ø38mm x 3.8m. For CD-2600 Series & CD-3000 Series	
7	500395B	Clear Urethane suction hose with aluminum female camlock on one end. ø50mm x 3.8m. For CD-5000 STD Series	
8	323455	EPDM rubber suction hose with S/S** ends, with smooth interior and exterior. SD*. Autoclavable. ø32mm x 3m. This hose can resist high temperatures. NB. This hose is very rigid. For CWR Series and EXP1/SS CR Series	
9	381385	EPDM rubber suction hose assembly with S/S** female camlock and S/S** female screw type. ø38mm x 3m. For LARU-10 and EXP1/SS CR Series	
10	500362	EPDM rubber suction hose assembly with ø50mm S/S** female camlock on one end and S/S** hose clamp on the other. ø50mm x 2m. Autoclavable. For CWR-10 (PHARMA)	
11	323470	Foodgrade suction hose with S/S** ends. ø32mm x 3m. Made of crystal clear PVC. With smooth interior and exterior. Allows for easy decontamination. Meets FDA requirements (CFR title 21 parts 170-199). For CWR Series.	
12	323471	Foodgrade suction hose with S/S** ends. ø32mm x 4.5m. Made of crystal clear PVC. With smooth interior and exterior. Allows for easy decontamination. Meets FDA requirements (CFR title 21 parts 170-199). For 2D-15 DECOM(4W) RE SS HEPA	
13	381390B	Foodgrade suction hose with ø38mm S/S** female screw type connector for ø38mm accessories and S/S** female camlock for ø50mm suction intake. ø32mm x 3m. Made of crystal clear PVC. With smooth interior and exterior. Allows for easy decontamination. Meets FDA requirements (CFR title 21 parts 170-199). For CD-3000 Series	
14	323301	PVC Crushproof suction hose with curved handles and S/S** ends. ø32mm x 3m. SD* and light weight. For EMI-CWR (old system)	
15	323301B	PVC Crushproof suction hose with chrome plated steel ends. ø32mm x 3m. SD* and light weight. For CR-4D	
16	323303	PVC Crushproof suction hose with straight connector and S/S** ends. ø32mm x 1.5m. SD* and light weight. For EMI-CWR	
17	323540	PVC Crushproof suction hose assembly with straight S/S** handle and S/S** camlock. ø32mm x 3m. SD* and light weight. For CD-1500 Series and EMI-CWR SS	
18	381137A	PVC Crushproof suction hose with regular hose cuff. ø38mm x 3m. For 2D-15 HOSPITAL (TC) RE HEPA	
19	381137D	PVC Crushproof hose assembly with ø38mm camlock intake. ø38mm x 3m. For 2D-PH NUC and CS-PH NUC	
20	381140D	PVC Crushproof hose assembly for ø38mm camlock intake. ø38mm x 6.6m. For 2D-PH NUC and CS-PH NUC	

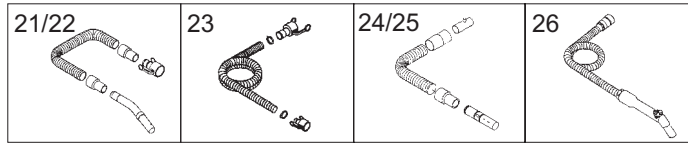
SD* - Static Dissipating

S/S** - Stainless Steel AISI 304

SC*** - Static Conductive

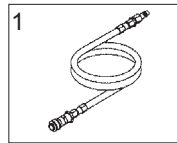
THE ABOVE PRICES ARE EXPRESSED IN € EURO FOB BOLOGNA, ITALIA - PRICES SUBJECT TO CHANGE WITHOUT NOTICE

OPTIONAL HOSE ASSEMBLIES TO BE USED WITH CLEANROOM VACUUM CLEANER SYSTEMS



21	323525	Silicone suction hose with S/S** ends. Clear with smooth interior and exterior. SD*. Autoclavable and foodgrade. ø32mm x 1.8m. This hose can resist high temperatures. Allows for easy decontamination. Complies with FDA requirements (CFR title 21 parts 170-199). NB. This hose is very rigid. For CWR Series	
22	323526	Silicone suction hose with S/S** ends. Clear with smooth interior and exterior. SD*. Autoclavable and foodgrade. ø32mm x 3.6m. This hose can resist high temperatures. Allows for easy decontamination. Complies with FDA requirements (CFR title 21 parts 170-199). NB. This hose is very rigid. For CWR Series	
23	381337	Vinylife suction hose with PVC female camlock on both ends. ø38mm x 3m. For ARU-15	
24	212070	Suction hose with S/S** ends. ø32mm x 1.5m. SD* and light weight. For MV-1CR Series	
25	212072	Suction hose with S/S** ends. ø32mm x 3m. SD* and light weight. For MV-1CR Series	
26	323497	Suction hose. ø32mm x 2.44m. For CR-1	

OPTIONAL AIR SUPPLY HOSE ASSEMBLY TO BE USED WITH CLEANROOM VACUUM CLEANER SYSTEMS



1	211787	Air supply hose assembly with female quick disconnect. ø12.7mm x 1.5m. For MRV-15 Series	
---	--------	--	--

OPTIONAL HOSES ONLY TO BE USED WITH CLEANROOM VACUUM CLEANER SYSTEMS

1	250010 323430 383438 500538	Crushproof suction hose, SC*** (no wire), ø25.4mm, black Crushproof suction hose, SC*** (no wire), ø32mm, black Crushproof suction hose, SC*** (no wire), ø38mm, black Crushproof suction hose, SC*** (no wire), ø50mm, black	
2	323340A 323340 381141 500140	PVC Crushproof suction hose, ø32mm, beige PVC Crushproof suction hose, ø32mm, grey PVC Crushproof suction hose, ø38mm, grey PVC Crushproof suction hose, ø50mm, grey	
3	323440 381425 500390 635078 990010	Clear Urethane suction hose, SD*, ø32mm Clear Urethane suction hose, SD*, ø38mm Clear Urethane suction hose, SD*, ø50mm Clear Urethane suction hose, SD*, ø64mm Clear Urethane suction hose, SD*, ø100mm	
4	381388	Foodgrade suction hose, ø38mm	
5	211813A 323450 381383 500360	EPDM drain/discharge hose, SD*, ø19mm EPDM suction hose, SD*, ø32mm EPDM suction hose, SD*, ø38mm EPDM suction hose, SD*, ø50mm	
6	323425 381335 500380 635120	Vinylife suction hose, SD*, ø32mm Vinylife suction hose, SD*, ø38mm Vinylife suction hose, SD*, ø50mm Vinylife suction hose, SD*, ø64mm	

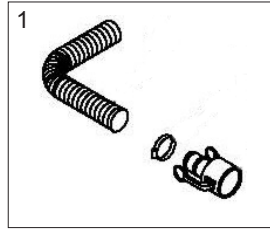
SD* - Static Dissipating

S/S** - Stainless Steel AISI 304

SC*** - Static Conductive

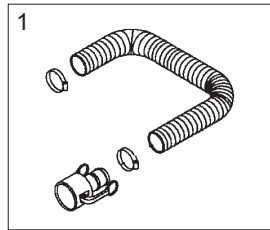
THE ABOVE PRICES ARE EXPRESSED IN € EURO FOB BOLOGNA, ITALIA - PRICES SUBJECT TO CHANGE WITHOUT NOTICE

DRAIN HOSE ASSEMBLIES
TO BE USE WITH CLEANROOM
VACUUM CLEANER SYSTEMS



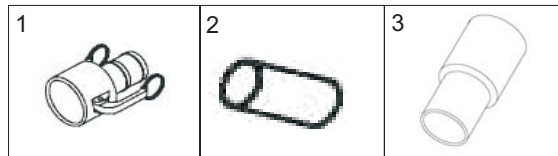
1	211157B 211815 381092 381093	Drain hose assembly. For use with model CWR-8 (4W) EPDM drain hose assembly w/female camlock, ø19mm x 1.5m, autoclavable, S/S** for LARU-10, CWR-10 (PHARMA) and EXP1/SS CR Series PVC drain hose. ø19mm x 1.5m. For ARU-15 and CWR-10/15 models with polyethylene tanks PVC drain hose. ø19mm x 1.5m. For CWR-8 (4W) models with S/S** tanks, CWR-10/15 models with S/S** tanks, MRV-15 Series, MRV-16 (4W) SS and 2D-15 DECOM (4W) RE SS HEPA	
---	---------------------------------------	--	--

CONNECTION/SUCTION HOSE ASSEMBLIES
TO BE USE WITH CLEANROOM
VACUUM CLEANER SYSTEMS



1	381336 381386 381387 500381	PVC Crushproof connection hose. ø38mm x 1.5m with PVC female camloc on both ends. For ARU-15 EPDM connection hose assembly with S/S female camlock on both ends. ø38mm x 1.5m. For LARU-10 Vinylife connection/suction hose with ø38mm female camlock on one end. ø38mm x 1.8m. To connect vacuum cleaner to processing equipment. For CD-1500 Series and CD-3000 Series Vinylife connection/suction hose with ø50mm female camlock on one end. ø50mm x 1.8m. To connect vacuum cleaner to processing equipment. For CD-2600 CR (MFS) and CD-5000 Series	
---	--------------------------------------	---	--

OPTIONAL HOSE ACCESSORIES
TO BE USE WITH CLEANROOM
VACUUM CLEANER SYSTEMS



1	381229	Female adaptor, Camlock part c, ø38mm, aluminum. For 2D-PH NUC and CS-PH NUC	
2	381205	Hose cuff union, ø38mm, grey PVC	
3	381199	Hose cuff, ø38mm, grey PVC	

SD* - Static Dissipating

S/S** - Stainless Steel AISI 304

SC*** - Static Conductive

THE ABOVE PRICES ARE EXPRESSED IN € EURO FOB BOLOGNA, ITALIA - PRICES SUBJECT TO CHANGE WITHOUT NOTICE