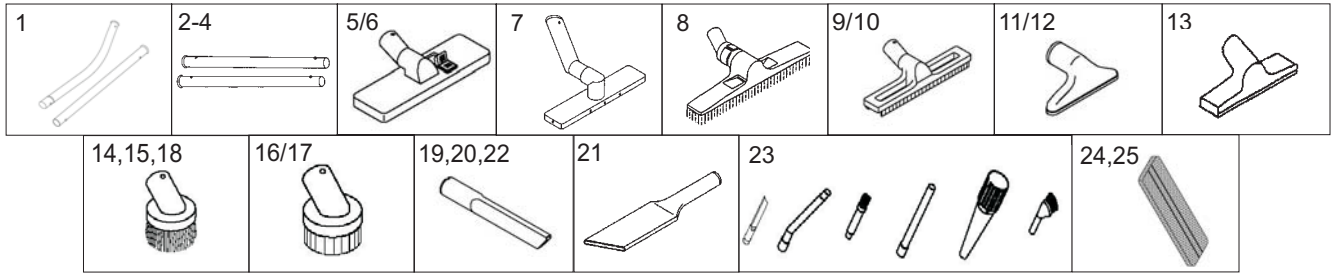


OPTIONAL ø32mm Tools - CAN BE USED IN ZONE 2 (GAS) ZONE 22 (DUST) ONLY



1	323331	Wands, set of 2, one curved and one straight, S/S**. For CD-1500 Series, EMI-CWR and MV-1CR Series	
2	323330	Wands, Extension, set of 2, both straight, S/S**. For CWR Series, EMI-CWR (old system), 2D-15 DECOM (4W) RE SS HEPA and EXP1/SS CR Series	
3	323504	Wands, Extension, set of 2. 51cm each. For CR-1	
4	323315	Wands, Extension, set of 2. Made of chrome plated steel. For CR-4D	
5	323311	Combi Floor Tool. Made of PVC. For CR-4D and CWR Series	
6	323311B	Combi Floor Tool, black. For CD-1500 Series, EMI-CWR Series and MV-1CR Series	
7	323412	Floor Tool Assembly, SD*, 30cm, S/S**. Autoclavable. Assembled with nylon wheels and nitrile rubber blades. For CWR Series, EMI-CWR Series and EXP1/SS CR Series	
8	323508	Floor Tool, 36cm. For CR-1	
9	323317	Utility Floor Tool with wheels and rubber blades. Made of PVC. For CR-4D, CWR Series and 2D-15 DECOM (4W) RE SS HEPA	
10	323317A	Utility Floor Tool with wheels and rubber blades. Made of ESD safe plastic. For CD-1500 Series, EMI-CWR Series and MV-1CR Series	
11	323314	Flat Tool (Upholstery Tool). Made of PVC. For CR-4D, CWR Series, MRV-15 Series, MRV-16 (4W) SS and 2D-15 DECOM (4W) RE SS HEPA	
12	323314A	Flat Tool. Made of ESD safe plastic. For CD-1500 Series, EMI-CWR Series and MV-1CR Series	
13	323512	Upholstery Tool, 12.7cm. For CR-1	
14	323312	Round Brush. For CR-4D, MRV-15 Series and MRV-16 (4W) SS	
15	323312A	Round Brush. Made of ESD safe plastic. For CD-1500 Series, EMI-CWR Series and MV-1CR Series	
16	323321	Round Tool with rubber blades. For CR-4D, CWR Series, MV-1CR Series and 2D-15 DECOM (4W) RE SS	
17	323321A	Round Tool with rubber blades. Made of ESD safe plastic. For CD-1500 Series and EMI-CWR Series	
18	323514	Dusting Brush, 8cm. For CR-1	
19	323313	Crevice Tool. Made of PVC. For CR-4D, CWR Series and 2D-15 DECOM (4W) RE SS HEPA	
20	323313A	Crevice Tool. Made of ESD safe plastic. For CD-1500 Series, EMI-CWR Series and MV-1CR Series	
21	323413	Crevice Tool, SD*. Autoclavable. 25.4cm, S/S**. For CWR Series, EMI-CWR Series & EXP1/SS CR Series	
22	323510	Crevice Tool, 20cm. For CR-1	
23	323316	Micro Tool Kit. Made of ESD Safe Plastic. Consists of the following 6 mini attachments: 323316A - Crevice Tool, 10mm x 85mm 323316B - Extension Curve, ø12mm x 130mm 323316C - Round Dusting Brush, ø10mm x 70mm 323316D - Straight extension, ø12mm x 130mm 323316E - Conical reducer, ø32mm to 10mm, 145mm 323316F - Oval Dusting Brush, ø10mm x 60mm	
24	211066	Micro Pad for use with Combi Tool. Made of continuous filament polyester mesh, laundered and heat sealed. Ideal for particle sample analysis.	
25	211067	Micro Pad for use with Combi Tool. Made of continuous filament polyester mesh, laundered and heat sealed. Ideal for particle sample analysis. (Package of 6)	

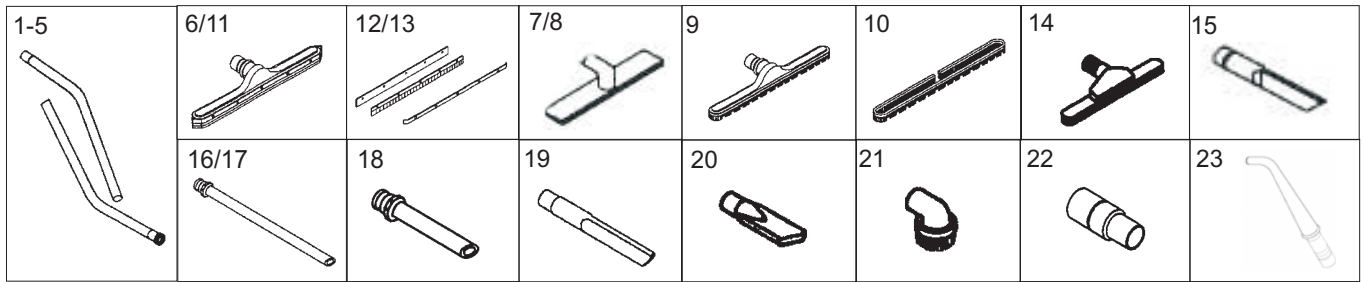
SD* - Static Dissipating

S/S** - Stainless Steel AISI 304

SC*** - Static Conductive

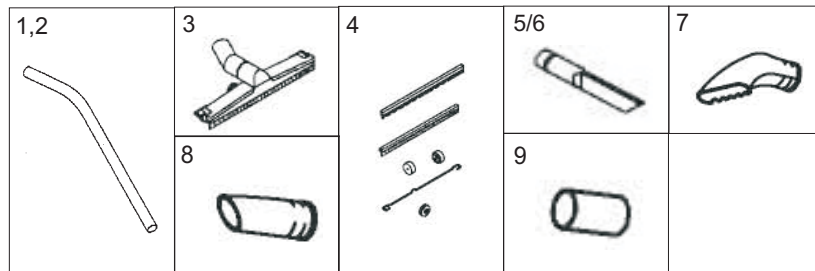
THE ABOVE PRICES ARE EXPRESSED IN € EURO FOB BOLOGNA, ITALIA - PRICES SUBJECT TO CHANGE WITHOUT NOTICE

OPTIONAL ø38mm Tools FOR USE WITH CLEANROOM VACUUM CLEANER SYSTEMS



1	381351	Wand, double bend. 1.37m. Non-metallic. For ARU-15
2	381351A	Wand, double bend. 1.37m. ABS with American attachment. For MRV-15 Series
3	381364	Wand, 2 pcs. S/S**. For MRV-16 (4W) SS
4	381366	Wand assembly, 2 pcs. S/S** with S/S** screw type tool coupling. For LARU-10 and EXP1/SS CR Series
5	381477	Wand, double bend, 2 pcs. Chrome. For 2D-PH NUC and CS-PH NUC
6	381355	Squeegee Floor Tool with EPDM rubber blades. 36cm. For ARU-15
7	381370	Floor Tool with nylon wheels and nitrile rubber blades. S/S**. Autoclavable. 35.5cm. For LARU-10 and EXP1/SS CR Series
8	381370B	Replacement nitrile rubber blades for 35.5cm floor tool
9	381380	Floor Brush. 35cm. ABS with nylon bristles for dry recovery. For MRV-15 Series and MRV-16 (4W) SS
10	381379	Replacement nylon bristles for 35cm floor brush
11	381381	Squeegee Tool. 35cm. ABS w/squeegee blades for liquid recovery. For MRV-15 Series & MRV-16 (4W) SS
12	381382	Replacement squeegee blades, set of 2, for 35cm floor tool
13	381443	Replacement metal strips, set of 2, for 35cm floor tool
14	381485	Floor Tool with brushes. 41cm. For 2D-PH NUC and CS-PH NUC
15	381197	Crevice Tool. 27cm. Made of PVC. For MRV-15 Series and MRV-16 (4W) SS
16	381352	Crevice Nozzle. 1.22m. Non-metallic. For ARU-15
17	381353	Crevice Nozzle. 91cm. Non-metallic. For ARU-15
18	381354	Crevice Nozzle. 30cm. Non-metallic. For ARU-15
19	381372	Crevice Tool. 28cm. S/S**. For LARU-10 and EXP1/SS CR Series
20	381480	Crevice Tool. 25cm. For 2D-PH NUC and CS-PH NUC
21	381482	Dusting Brush. 7.6cm. For 2D-PH NUC and CS-PH NUC
22	381207	Reducer, ø38mm to ø32mm. For MRV-15 Series and MRV-16 (4W) SS
23	383464	Conical Nozzle with curved tip, silicone, with adaptor. 25cm.

OPTIONAL ø50mm Tools FOR USE WITH CLEANROOM VACUUM CLEANER SYSTEMS



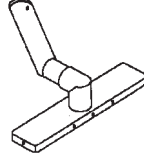
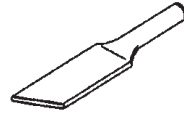



1	500160	Wand, single bend. 1.22m. Aluminum. For CD-5000 Series
2	500160SA	Wand, single bend. 1.22m. S/S**. Autoclavable. Electropolished. For CWR-10 (PHARMA)
3	500161	Universal Floor Tool. 50cm. For wet and dry recovery. For CD-5000 Series
4	500145	Blades for Universal Tool, set of 2. 508mm. Rubber.
	500146	Brush Strips for Universal Tool, set of 2. 508mm
	381174	Wheel for Universal Tool. Plastic
	500151	Axle for Universal Tool. 508mm. Chrome
	381178	Knob for Universal Tool
5	500156B	Crevice Tool. 38cm. For CD-5000 Series
6	500558A	Crevice Tool. 38cm. S/S**. Autoclavable. Electropolished. For CWR-10 (PHARMA)
7	500235M	Tiger-Claw Tool. 11.5cm. Autoclavable. Made of clear foodgrade silicone. For CWR-10 (PHARMA)
8	500231M	Conical Nozzle. 19cm. Autoclavable. Made of clear foodgrade silicone. For CWR-10 (PHARMA)
9	500554A	Adaptor for use with #500235M and 500231M. S/S**. Autoclavable. Electropolished


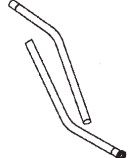
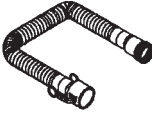

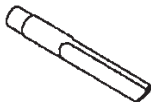
SD* - Static Dissipating **S/S**** - Stainless Steel AISI 304 **SC***** - Static Conductive

THE ABOVE PRICES ARE EXPRESSED IN € EURO FOB BOLOGNA, ITALIA - PRICES SUBJECT TO CHANGE WITHOUT NOTICE

TOOL KIT No. 9A - ø32mm FOR USE WITH CLEANROOM VACUUM CLEANER SYSTEMS

1		2		3		4		5	
	For pneumatic kit only								
1	211832	Air Supply Hose Assembly, SD*, for cleanrooms, smooth exterior & quick disconnects, ø12.7mm x 7.5m							
2	323455	EPDM Hose Assembly, SD*, autoclavable, 3m							
3	323412	Floor Tool Assembly, autoclavable, 30cm, S/S**							
4	323413	Crevice Tool, autoclavable, ø25.4cm, S/S**							
5	323330	Extension Wands, both straight, set of 2, S/S**							
	323292	Tool Kit # 9A - For electric cleanroom Explosion Proof Vacuum Cleaners, ø32mm (Not including Air Supply)							
	323293	Tool Kit # 9A - For pneumatic cleanroom Explosion Proof Vacuum Cleaners, ø32mm (Includes Air Supply)							

TOOL KIT No. 9B - ø38mm FOR USE WITH CLEANROOM VACUUM CLEANER SYSTEMS

1		2		3		4		5	
	For pneumatic kit only								
1	211832	Air Supply Hose Assembly, SD*, for cleanrooms, smooth exterior & quick disconnects, ø12.7mm x 7.5m							
2	381366	Wand Assembly, with stainless steel attachment, 2 pcs, S/S**							
3	381427	Clear Urethane Suction Hose Assembly, SD*, with S/S** female camlock and S/S** female screw type, ø38mm x 3.8m							
4	381370	Floor Tool Assembly, with rubber blades and wheels, 36cm, S/S**							
5	381372	Crevice Tool, 28cm, S/S**							
	381115	Tool Kit # 9B - For electric Cleanroom Explosion Proof Vacuum Cleaners, ø38mm (Not including Air Supply)							
	381116	Tool Kit # 9B - For pneumatic Cleanroom Explosion Proof Vacuum Cleaners, ø38mm (Includes Air Supply)							
	381427B	Optional Hose Assemblies Clear Urethane Suction Hose Assembly, SD*, with S/S** female camlock and screw type for ø50mm intake, ø38mm x 3.8m							
	211835	Air Supply Hose Assembly, SD*, for cleanrooms, smooth exterior & quick disconnect, ø38mm x 15m							

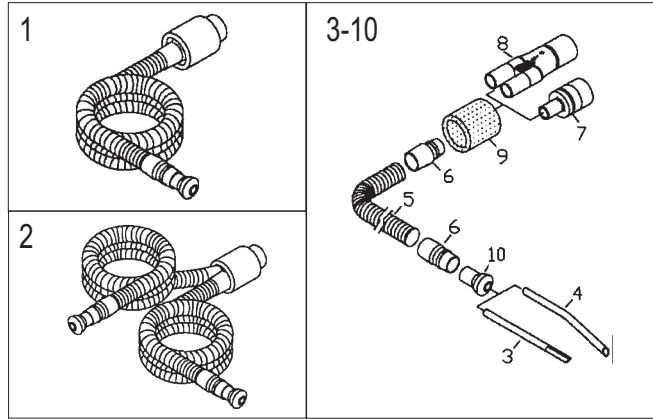
SD* - Static Dissipating

S/S** - Stainless Steel AISI 304

SC*** - Static Conductive

THE ABOVE PRICES ARE EXPRESSED IN € EURO FOB BOLOGNA, ITALIA - PRICES SUBJECT TO CHANGE WITHOUT NOTICE

STATIC DISSIPATING MICRO TOOLS AND CONDUCTIVE HOSES WITH STAINLESS STEEL ACCESSORIES TO BE USED WITH CLEANROOM VACUUM CLEANER SYSTEMS



1	200001	Single Operator Attachment for EMI-CWR. Static dissipating Includes the following: (1) Static dissipating hose. $\varnothing 20\text{mm} \times 3.75\text{m}$ (1) Single operator connector (1) Adaptor (1) Muffler for connector	
	200001B	Single Operator Attachment for CWR-10/15/25	
	200001C	Single Operator Attachment for static dissipating micro tools for use with model MV-1	
2	200002	Double Operator Attachment for EMI-CWR. Static dissipating Includes the following: (2) Static dissipating hoses. $\varnothing 20\text{mm} \times 3.75\text{m}$ (1) Double operator connector (2) Adaptors (1) Muffler for connector	
3	200003	Straight Micro Crevice Tool. $\varnothing 6.4\text{mm} \times 16\text{cm}$. Stainless steel	
4	200004	Curved Tip. $\varnothing 6.4\text{mm} \times 16\text{cm}$. Stainless steel	
5	200005	PVC hose only. $\varnothing 20\text{mm}$. Static dissipating. With internal ground wire. Maximum length: 7.5m	
6	200006	Hose cuff for $\varnothing 20\text{mm}$ hose. PVC	
7	381512	Male connector for $\varnothing 38\text{mm}$ screw type intake for $\varnothing 19\text{mm}$ hose. Aluminum	
8	200008	Double Operator Connector	
9	200009	Muffler for connector	
10	200010	Adaptor for $\varnothing 20\text{mm}$ hose with $\varnothing 6.4\text{mm}$ micro tool. Stainless steel	

SD* - Static Dissipating

S/S** - Stainless Steel AISI 304

SC*** - Static Conductive

THE ABOVE PRICES ARE EXPRESSED IN € EURO FOB BOLOGNA, ITALIA - PRICES SUBJECT TO CHANGE WITHOUT NOTICE