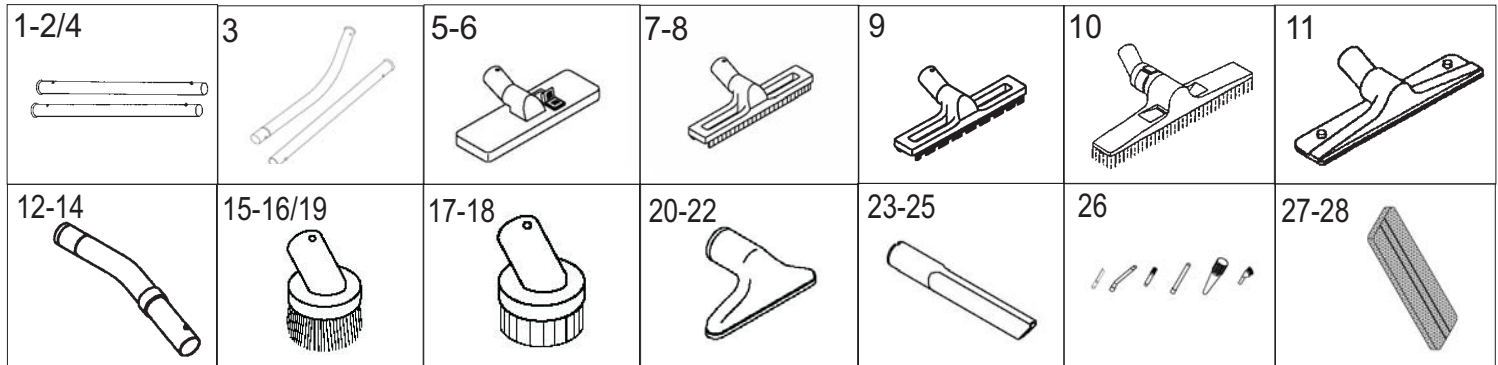


OPTIONAL ø32mm Tools



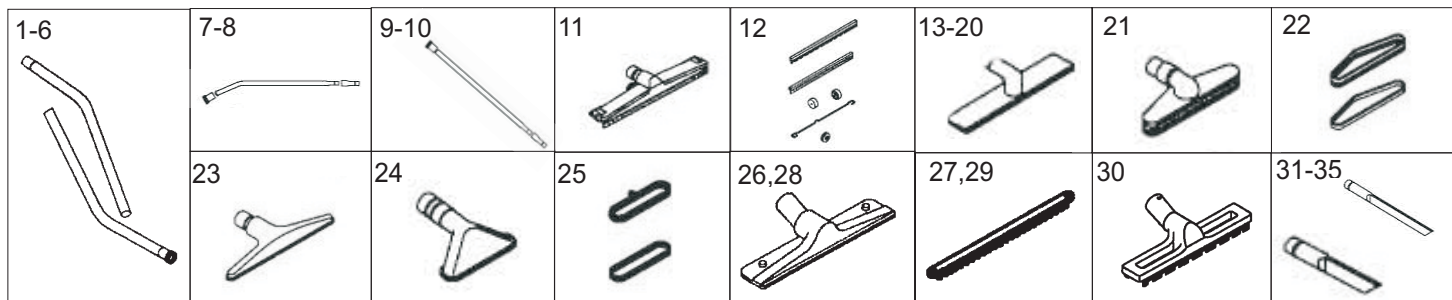
1	323315	Extension Wands, set of 2. Chrome	
2	323330	Extension Wands, set of 2. Stainless steel	
3	323331	Wands, set of 2, one curved and one straight. Stainless steel	
4	323504	Extension Wands, set of 2. 51cm	
5	323311	Combi Floor Tool	
6	323311B	Combi Floor Tool. Black	
7	323317	Utility Floor Tool for liquid recovery with wheels and rubber blades. PVC	
8	323317A	Utility Floor Tool with wheels and rubber blades. ESD safe plastic	
9	323318	Utility Floor Tool with brush strips	
10	323508	Floor Tool. 36cm	
11	323332	Carpet Tool. 33cm. Aluminum	
12	323326	Curved Handle with airflow regulator. Chrome	
13	323329	Curved Handle with airflow regulator. Stainless steel	
14	323502	Curved Handle	
15	323312	Round Brush	
16	323312A	Round Brush. ESD safe plastic	
17	323321	Round Tool with rubber blades	
18	323321A	Round Tool with rubber blades. ESD safe plastic	
19	323514	Dusting Brush. ø8cm	
20	323314	Flat Tool. PVC	
21	323314A	Flat Tool. ESD safe plastic	
22	323512	Upholstery Tool. 12.7cm	
23	323313	Crevice Tool. PVC	
24	323313A	Crevice Tool. ESD safe plastic	
25	323510	Crevice Tool. 20cm	
26	323316	Micro Tool Kit. 6 mini attachments. ESD safe plastic. Includes the following:	
	323316A	Crevice Tool. ESD safe plastic	
	323316B	Extension Curve. ESD safe plastic	
	323316C	Dusting Brush. ESD safe plastic	
	323316D	Extension, straight. ESD safe plastic	
	323316E	Reducer, conical. ESD safe plastic	
	323316F	Dusting brush, oval. ESD safe plastic	
27	211066	Micro Pad for use with Combi Tool. Laundered and heat sealed. Ideal for particle sample analysis. Made of continuous filament polyester mesh.	
28	211067	Micro Pads (package of 6)	

SD* - Static Dissipating

S/S** - Stainless Steel AISI 304

THE ABOVE PRICES ARE EXPRESSED IN € EURO FOB BOLOGNA, ITALIA - PRICES SUBJECT TO CHANGE WITHOUT NOTICE

OPTIONAL ø38mm Tools



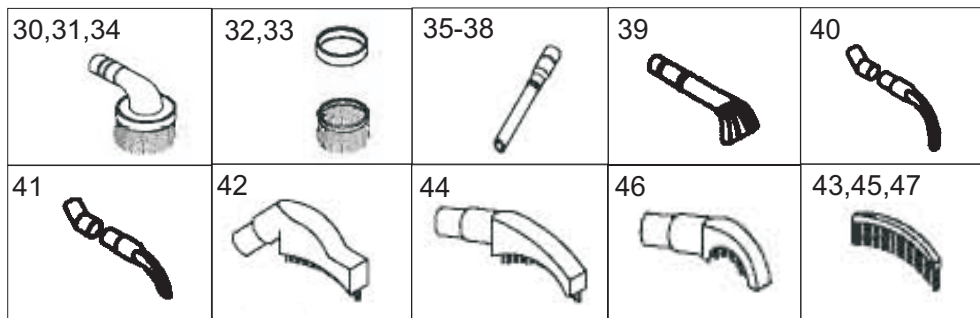
1	381163	Wand Assembly with aluminum attachment. 2 pcs. Chrome plated	
2	381163A	Wand only. 2 pcs. Chrome plated	
3	381163B	Wand Assembly with Tiger-Vac attachment. 2 pcs. Chrome plated	
4	381366	Wand Assembly with stainless steel screw type tool coupling. 2 pcs. Stainless steel	
5	381477	Double Bend Wand. 2 pcs. Chrome plated	
6	381562	Wand Assembly. 2 pcs. Chrome with plastic tool coupling	
7	381161	Single Bend Wand. SD*. 1.4m. Aluminum	
8	381161B	Single Bend Wand. 1.4m. Aluminum	
9	381572	Extension Wands. Set of 2. Plastic	
10	381164	Straight Extension Wand. 1.4m. PVC	
11	381171	Universal Tool. Includes rubber blades & brush strips. 46cm. Aluminum	
12	381173	Brush Strips for Universal Too. Set of 2. 46cm. Nylon	
	381172	Blades for Universal Tool. Set of 2. 46cm. Rubber	
	381174	Wheel for Universal Tool. Plastic	
	381177	Axle for Universal Tool. 46cm. Chrome	
	381178	Knob for Universal Tool	
13	381370	Floor Tool with nylon wheels and nitrile rubber blades. Autoclavable. 36cm. Stainless steel	
14	381377	Floor Tool with nylon brushes. 36cm. Aluminum	
15	381377A	Floor Tool with conductive brushes. SD*. 36cm. Aluminum	
16	381380	Floor Tool with nylon brushes. 36cm. ABS plastic	
17	381485	Floor Tool with brushes. 41cm	
18	381490	Floor Tool with squeegee. 41cm	
19	381564	Floor Tool with brushes. Plastic	
20	381566	Floor Tool with squeegee. Plastic	
21	381179	Wall Brush. 23cm. Aluminum	
22	381180	Replacement bristles for Wall Brush. 23cm. Nylon	
23	381182	Gulper Tool. 31cm. Aluminum	
24	381183	Upholstery Tool only with chrome coupling. 15cm. Aluminum	
25	381184	Clamp-on brush and bumper with nylon bristles for Upholstery Tool. 15cm	
	381184B1	Replacement Bristles for Clamp-on Brush and Bumper. Nylon	
26	381220	Carpet Tool. 28cm. PVC	
27	381322	Replacement brush strip for Carpet Tool. 28cm Nylon	
28	381221	Carpet Tool. 41cm. PVC	
29	381323	Replacement brush strip for Carpet Tool. 41cm. Nylon	
30	381568	Utility Tool with brushes. Plastic	
31	381188	Crevice Tool. SD*. 28cm. Aluminum	
32	381189	Crevice Tool with chrome connector. 61cm. Aluminum	
33	381197	Crevice Too. 28cm. Plastic	
34	381372	Crevice Tool. 28cm. Stainless steel	
35	381480	Crevice Tool. 25.4cm	

SD* - Static Dissipating

S/S** - Stainless Steel AISI 304

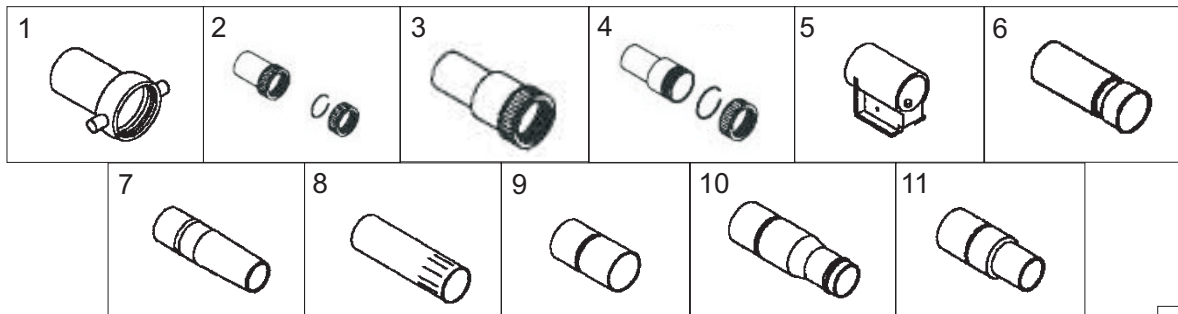
THE ABOVE PRICES ARE EXPRESSED IN € EURO FOB BOLOGNA, ITALIA - PRICES SUBJECT TO CHANGE WITHOUT NOTICE

OPTIONAL ø38mm Tools



30	381185	Dusting Brush with chrome coupling, with nylon bristles. ø13cm. Aluminum	
31	381185M	Dusting Brush with 1" nylon bristles. Brush only, no chrome connector. ø13cm. Aluminum	
32	381186	Replacement bristles for Dusting Brush. ø13cm. Nylon	
33	381187	Replacement bumper for Dusting Brush. ø13cm.	
34	381482	Dusting Brush. ø8cm.	
35	381190	Conical Nozzle Assembly. 15cm. Nitrile	
36	381190A	Conical Nozzle. 15cm. Rubber	
37	381219	Conical Nozzle Assembly. 53cm. Nitrile	
38	381570	Conical Nozzle / Reducer Adaptor ø38mm to ø32mm	
39	381228	Tiger Claw Tool. PVC	
40	381168	Pipe Cleaning Tool Assembly for 25.4mm to 100mm pipes. PVC	
41	381169	Pipe Cleaning Tool Assembly for 100mm to 203mm pipes. PVC	
42	381191	Pipe Cleaning Tool with nylon bristles. 152mm. Aluminum	
43	381192	Replacement Bristles for Pipe Cleaning Tool. 152mm. Nylon	
44	381193	Pipe Cleaning Tool with nylon bristles. 100mm to 152mm. Aluminum	
45	381194	Replacement Bristles for Pipe Cleaning Tool. 100mm to 152mm. Nylon	
46	381195	Pipe Cleaning Tool with nylon bristles. 25.4mm to 76mm. Aluminum	
47	381196	Replacement Bristles for Pipe Cleaning Tool. 25.4mm to 76mm. Nylon	

OPTIONAL ø38mm ACCESSORIES



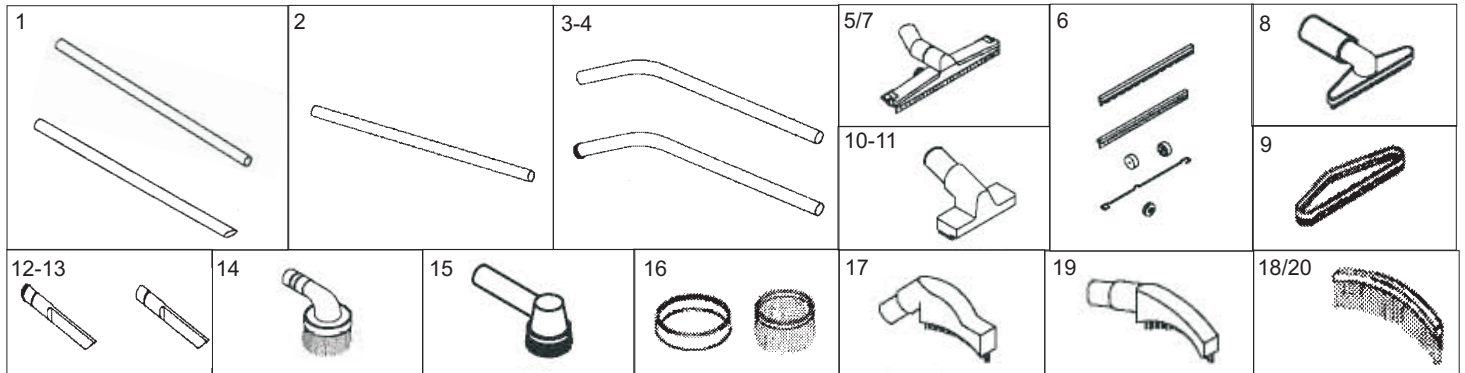
1	381142	Female Adaptor Assembly. ø38mm hose to ø50mm screw type intake. Aluminum	
2	381143	Attachement Assembly for wands. ø38mm. Aluminum	
	381145	Lock Nut Cap. Aluminum	
	381146	Ring for Lock Nut Cap. Brass	
3	381144	Female Attachment Assembly for suction hose. ø38mm. Aluminum	
4	381144A	Female Screw Type Connector for suction hose. ø38mm. Aluminum	
	381145	Lock Nut Cap. Aluminum	
	381146	Ring for Lock Nut Cap. Brass	
5	381153	Tiger-Vac Attachment. ø38mm	
6	381154	Male Connector for Tiger-Vac Attachment. ø38mm	
7	381155	Reducer, tapered. ø38mm to ø32mm. Aluminum	
8	381156	Hoffman Nipple. ø38mm	
9	381200	Male Connector, Short. ø38mm. Chrome	
10	381201	Male Connector, Long. ø38mm. Chrome	
11	381207	Reducer/Adaptor. ø38mm to ø32mm. PVC	

SD* - Static Dissipating

S/S** - Stainless Steel AISI 304

THE ABOVE PRICES ARE EXPRESSED IN € EURO FOB BOLOGNA, ITALIA - PRICES SUBJECT TO CHANGE WITHOUT NOTICE

OPTIONAL ø50mm TOOLS



1	500142A	Bulk Pick-Up Wand with end cut at 45 degrees. No coupling. 1.2m. Aluminum	
2	500143A	Extension Wand only with taper for multiple extensions. 1.2m. Aluminum	
3	500160	Single Bend Wand only with taper for Universal Tool. 1.2m. Aluminum	
4	500218	Wand without coupling. Chrome	
5	500161	Universal Tool with rubber blades and regular brush strips. No coupling. 51cm. Aluminum	
6	500145 500146 381174 500151 381178	Blades for Universal Tool, set of 2. 51cm. Rubber Brush Strips for Universal Tool, set of 2. 51cm Wheel for Universal Tool. Plastic Axle for Universal Tool. 51cm. Chrome Knob for Universal Tool	
7	500220	Floor Tool with Squeegee with black plastic neck	
8	501178	Wall Brush with nylon bristles and ø50mm tube for pressure fit connection. 23cm. Aluminum	
9	381180	Replacement Bristles for Wall Brush. 23cm. Nylon	
10	501200	Utility Tool with nylon bristles and ø2" tube for pressure fit connection. 20cm Aluminum	
11	500154B	Utility Tool. 20cm. Aluminum	
12	500156B	Crevice Tool. 38cm. Aluminum	
13	500224	Crevice Tool	
14	500226	Dusting Brush	
15	501184	Dusting Brush with nylon bristles and ø50mm tube for pressure fit connection. ø13cm. Aluminum	
16	381187 381186	Replacement Bumper for Dusting Brush. ø13cm Replacement Bristles for Dusting Brush. ø13cm. Nylon	
17	501190	Pipe Cleaning Tool with nylon bristles and ø50mm tube for pressure fit connection. 152mm Aluminum	
18	381192	Replacement Bristles for Pipe Cleaning Tool. 152mm. Nylon	
19	501192	Pipe Cleaning Tool with nylon bristles and ø2" tube for pressure fit connection. 100mm to 152mm. Aluminum	
20	381194	Replacement Bristles for Pipe Cleaning Tool. 100mm to 152mm. Nylon	

OPTIONAL ø50mm ACCESSORIES



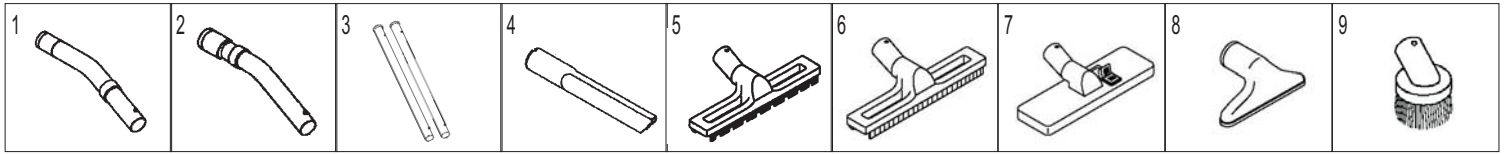
1	500164C	Male Connector for wands # 500142A, 500143A, 500160. Aluminum	
2	500157	Female Screw Type Adaptor for suction hoses. Aluminum	
3	500157B	Female Adaptor for wands # 500142A, 500160, 500143A. Aluminum	
4	635018	Female Screw Type Adaptor/Reducer, SD*, ø64mm hose to ø50mm tool. Aluminum	
5	500164	Male Screw Type Connector for suction hose. Aluminum	
6	500164B	Male Connector for Universal and Utility Tools # 500152B, 500154B, 500161. Aluminum	
7	500222	Adaptor for use with Crevice Tool and Dusting Brush	

SD* - Static Dissipating

S/S** - Stainless Steel AISI 304

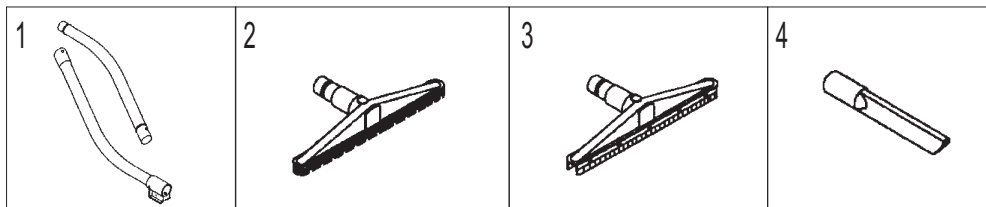
THE ABOVE PRICES ARE EXPRESSED IN € EURO FOB BOLOGNA, ITALIA - PRICES SUBJECT TO CHANGE WITHOUT NOTICE

TOOL KIT No. 1A & 1B - ø32mm



1	323326	Curved Handle with Airflow Regulator. Chrome	
2	381208	Curved Handle, ø38mm to ø32mm. Chrome	
3	323315	Extension Wands, set of 2. Chrome	
4	323313	Crevice Tool. 23cm. PVC	
5	323318	Utility Tool with brush strips. ø32mm	
6	323317	Utility Floor Tool with rubber blades	
7	323311	Combi Tool	
8	323314	Upholstery Flat Tool	
9	323312	Round Brush	
	323309	Tool Kit # 1A with Curved Handle	
	323310	Tool Kit # 1B with ø38mm to ø32mm Curved Handle	

TOOL KIT No. 2 - ø38mm



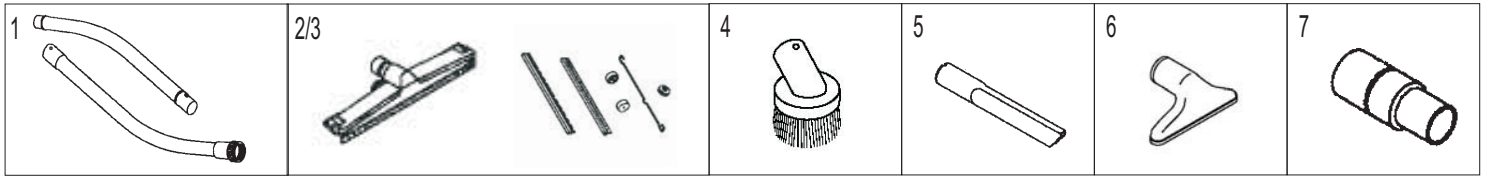
1	381163B	Wand Assembly with Tiger-Vac attachment, 2 pcs. Chrome	
2	381222	Floor Brush with Tiger-Vac attachment	
3	381225	Floor Tool with Tiger-Vac attachment, with squeegee blades. 36cm. ABS	
4	381197	Crevice Tool. 28cm. Grey PVC	
	381109	Tool Kit # 2 with Tiger-Vac attachment	

SD* - Static Dissipating

S/S** - Stainless Steel AISI 304

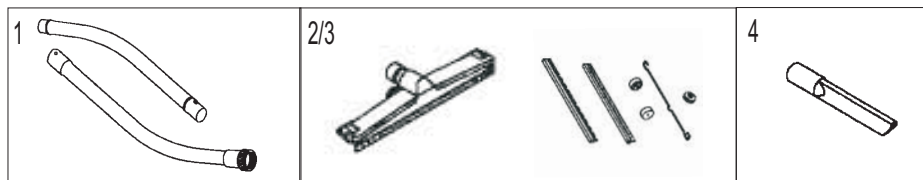
THE ABOVE PRICES ARE EXPRESSED IN € EURO FOB BOLOGNA, ITALIA - PRICES SUBJECT TO CHANGE WITHOUT NOTICE

TOOL KIT No. 3 - ø38mm



1	381163A	Wand Only, 2 pcs. Chrome	
2	381171	Universal Tool, includes rubber blades and brush strips. 46cm. Aluminum	
3	381178	Knob for Universal Tool	
	381177	Axle for Universal Tool. 46cm. Chrome	
	381174	Wheel for Universal Tool. Plastic	
	381172	Blades for Universal Tool, set of 2. 46cm. Rubber	
	381173	Brush Strips for Universal Tool, set of 2. 46cm. Nylon	
4	323312	Round Brush	
5	323313	Crevice Tool. 23cm. PVC	
6	323314	Upholstery Flat Tool	
7	381207	Reducer/Adaptor. ø38mm to ø32mm. PVC	
	381110	Tool Kit # 3	

TOOL KIT No. 4B - ø38mm



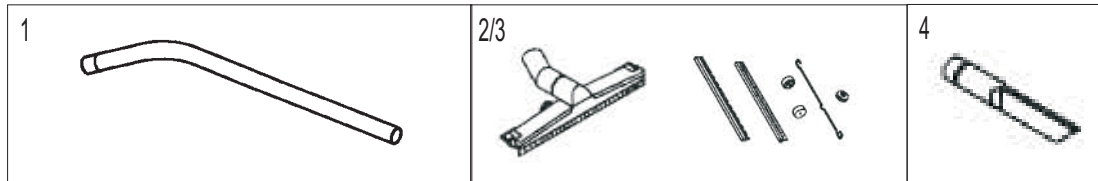
1	381163	Wand Assembly, with American Attachment. 2 pcs. Chrome	
2	381171	Universal Tool, includes rubber blades and brush strips. 46cm Aluminum	
3	381178	Knob for Universal Tool	
	381177	Axle for Universal Tool. 46cm. Chrome	
	381174	Wheel for Universal Tool. Plastic	
	381172	Blades for Universal Tool, set of 2. 46cm. Rubber	
	381173	Brush Strips for Universal Tool, set of 2. 46cm. Nylon	
4	381188	Crevice Tool, 28cm. Aluminum	
	381111B	Tool Kit # 4B	

SD* - Static Dissipating

S/S** - Stainless Steel AISI 304

THE ABOVE PRICES ARE EXPRESSED IN € EURO FOB BOLOGNA, ITALIA - PRICES SUBJECT TO CHANGE WITHOUT NOTICE

TOOL KIT No. 5 - ø50mm



1	500160	Single Bend Wand only, no coupling, with taper. 1.2m. Aluminum	
2	500161	Universal Tool, no coupling, with rubber blades and regular brush strips. 51cm. Aluminum	
3	381178	Knob for Universal Tool	
	500151	Axle for Universal Tool. SD*. 51cm. Chrome	
	381174	Wheel for Universal Tool. Plastic	
	500145	Blades for universal Tool, set of 2. 51cm. Rubber	
	500146	Brush Strips for Universal Tool, set of 2. 51cm	
4	500156B	Crevice Tool. 38cm. Aluminum	
	500110	Tool Kit # 5	

SD* - Static Dissipating

S/S** - Stainless Steel AISI 304

THE ABOVE PRICES ARE EXPRESSED IN € EURO FOB BOLOGNA, ITALIA - PRICES SUBJECT TO CHANGE WITHOUT NOTICE