

Remote Drive (Motor-less) Blowers

AMETEK Technical & Industrial Products' ROTRON brand has long been a world leader in regenerative blower technologies, bringing regenerative advantages to a new level, providing quiet, maintenance-free, oil-free operation.

Our industrial (_RD) Remote Drive Blowers are motorless models built with DR/EN/CP/SL blower features and include:

- Rugged cast-iron arbor and bearing suspension system
- Oversized shaft to withstand heavy-duty side loads
- Precision balanced impellers for low vibration operation
- High speed versions built with heat treated impellers available.

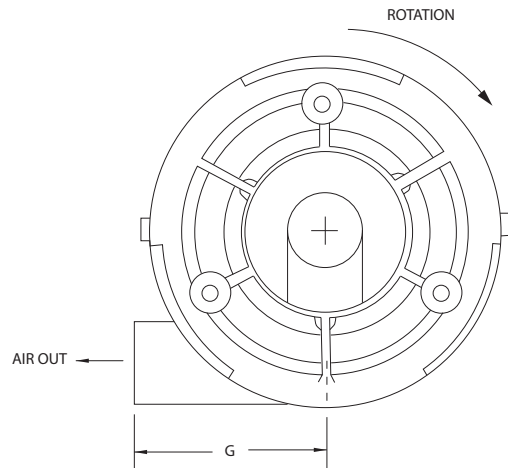
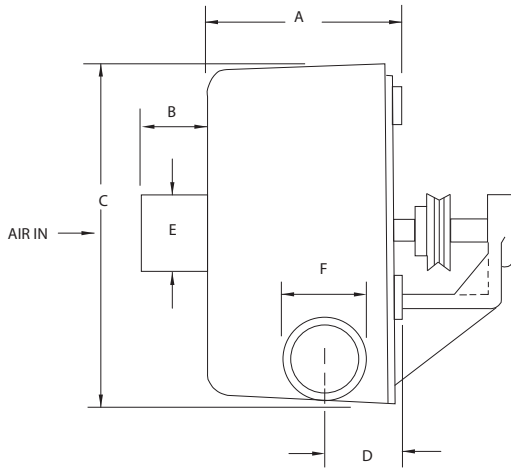


ROTRON®

Remote Drive (Motorless) Blowers

MF573RD

ROTRON®

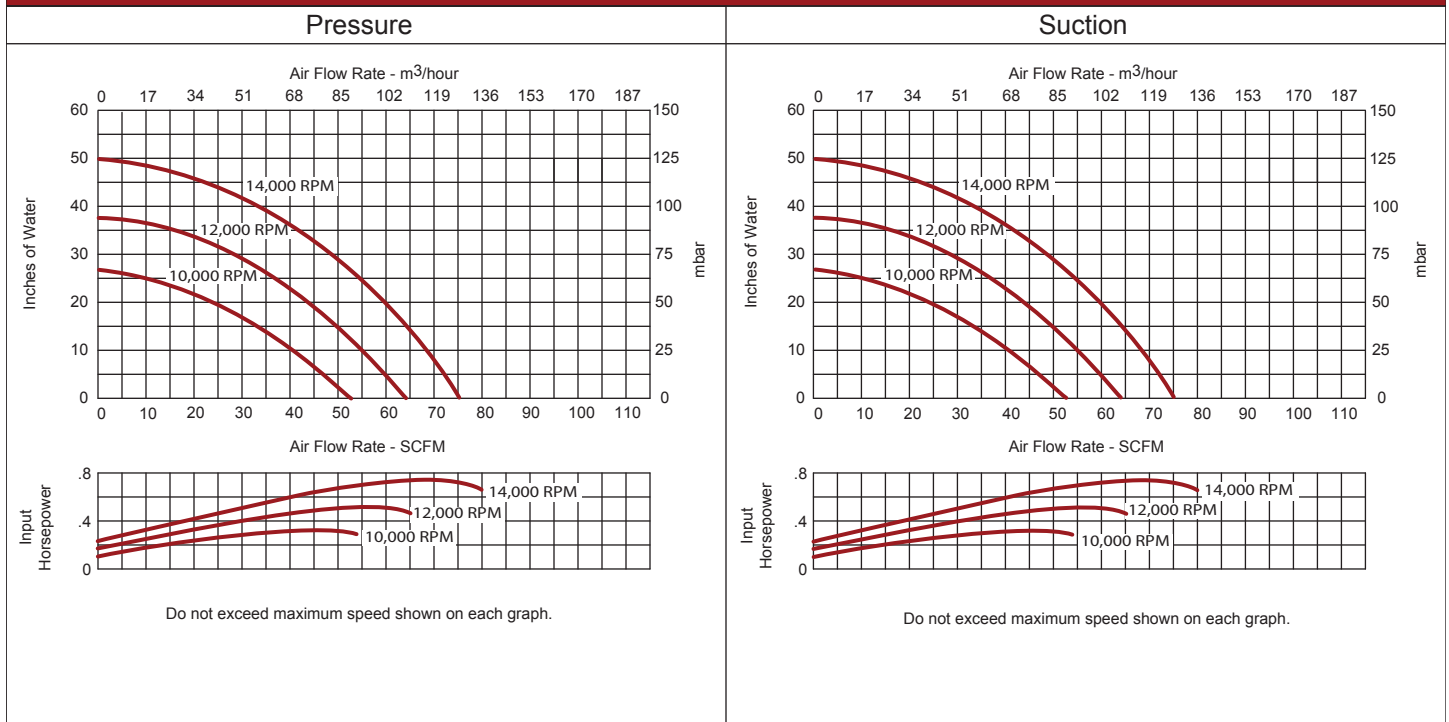


NOTES

- 1 CONTACT FACTORY FOR PULLEY OPTIONS.
- 2 DRAWING NOT TO SCALE, CONTACT FACTORY FOR SCALE CAD DRAWING.
- 3 CONTACT FACTORY FOR BLOWER MODEL LENGTHS NOT SHOWN.

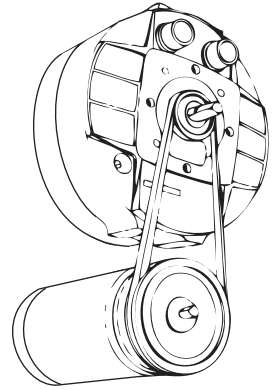
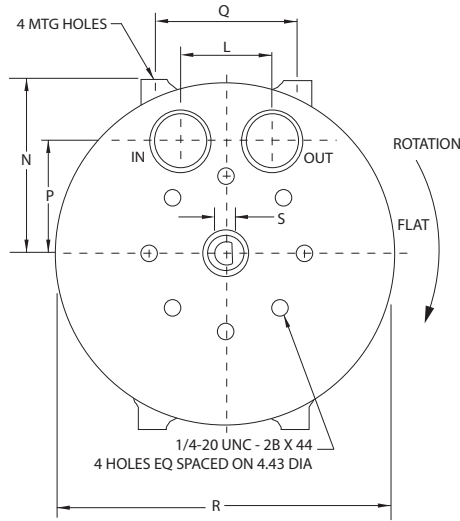
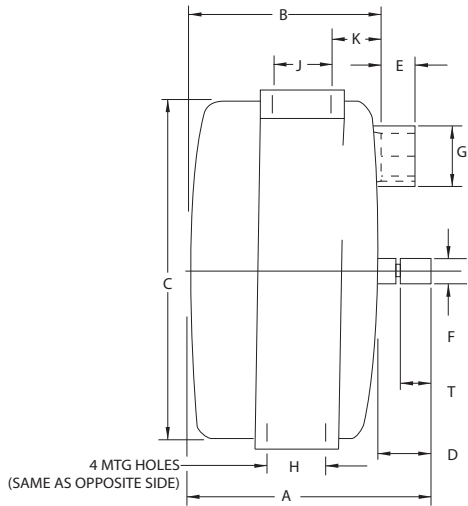
		Specification IN/MM						
Model Number	Part Number	A	B	C	D	E	F	G
MF573RD	026940	3.63	1.25	6.58	1.75	1.75	1.75	3.56
		92.2	31.8	167.1	44.5	44.5	44.5	90.4

Blower Performance at Standard Conditions



This document is for informational purposes only and should not be considered as a binding description of the products or their performance in all applications. The performance data on this page depicts typical performance under controlled laboratory conditions. AMETEK is not responsible for blowers driven beyond factory specified speed, temperature, pressure, flow or without proper alignment. Actual performance will vary depending on the operating environment and application. AMETEK products are not designed for and should not be used in medical life support applications. AMETEK reserves the right to revise its products without notification. The above characteristics represent standard products. For product designed to meet specific applications, contact AMETEK Technical & Industrial Products Sales department.

AMETEK TECHNICAL & INDUSTRIAL PRODUCTS
 75 North Street, Saugerties, NY 12477
 USA: +1 215-256-6601 - Europe: +44 (0) 845 366 9664 - Asia: +86 21 5763 1258
 Customer Service Fax: +1 215.256.1338
www.ametektip.com

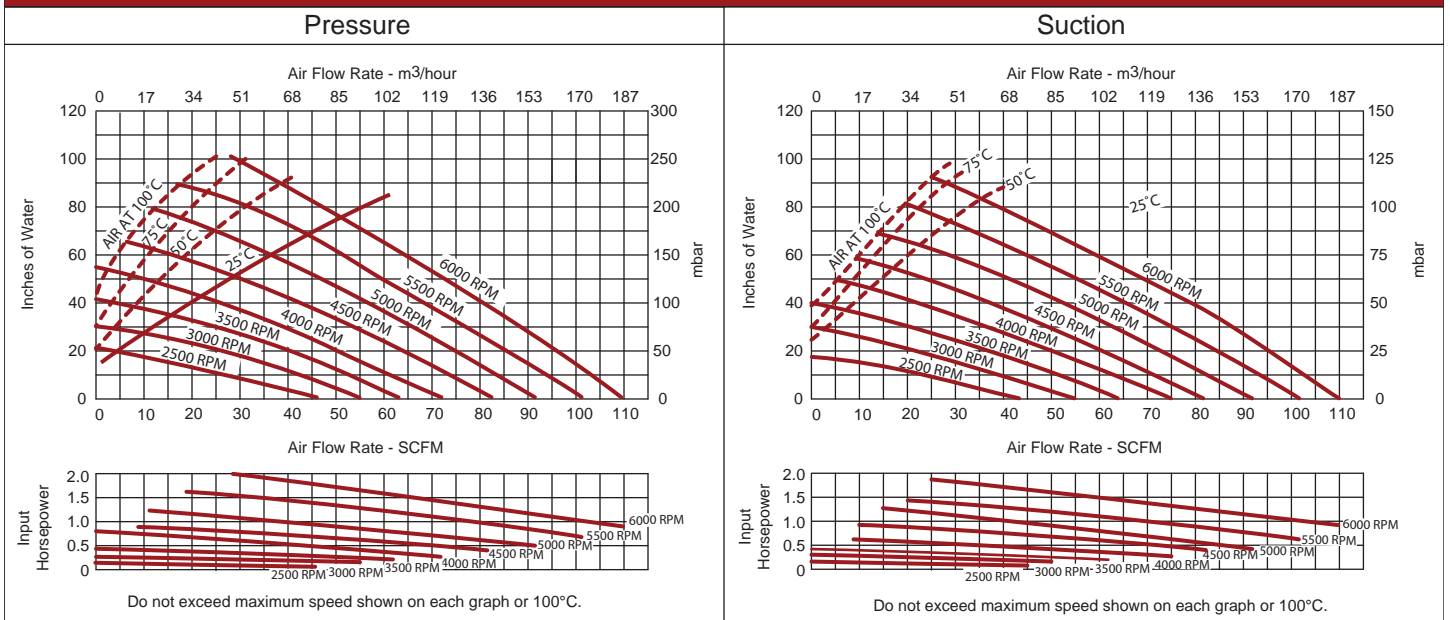


- NOTES
 1. DRAWING NOT TO SCALE, CONTACT FACTORY FOR SCALE CAD DRAWING.
 2. CONTACT FACTORY FOR BLOWER MODEL LENGTHS NOT SHOWN.

Specification IN/MM

Model Number	Part Number	A	B	C	D	E	F	G	H	J	K	L	M	N	P	Q	R	S	T
SL2RD	026125	5.88	7.33	9.92	1.45	1.00	.500	1.75	.25	1.75	1.41	2.62	1.75	4.96	3.31	3.00	9.92	.473	1.00
		149.4	186.2	252	36.8	25.4	12.7	44.5	6.4	44.5	35.8	66.5	44.5	126	84.1	76.2	252	12	25.4

Blower Performance at Standard Conditions

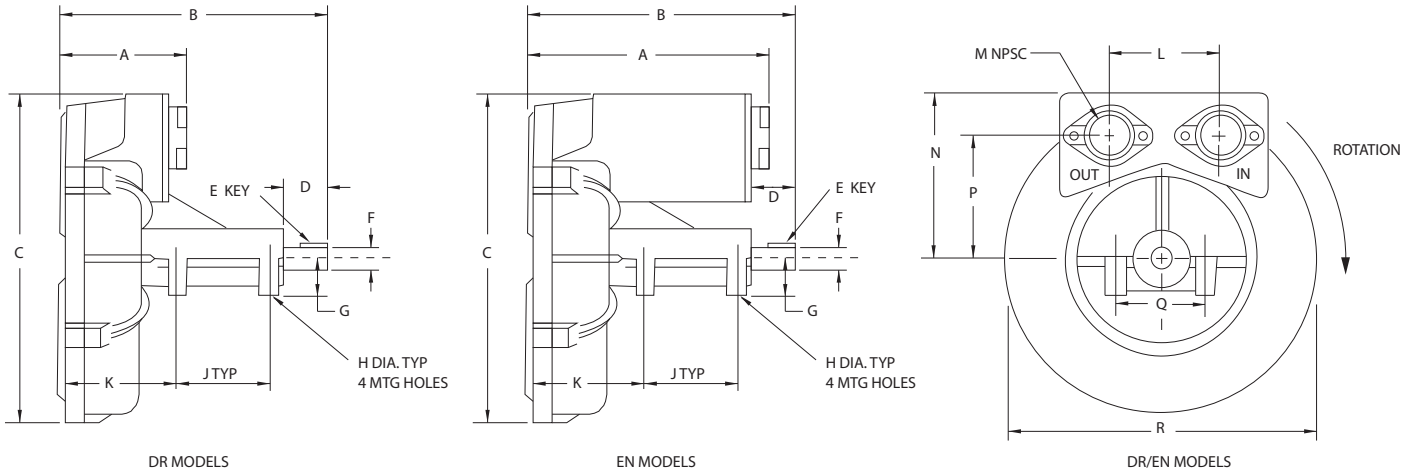


This document is for informational purposes only and should not be considered as a binding description of the products or their performance in all applications. The performance data on this page depicts typical performance under controlled laboratory conditions. AMETEK is not responsible for blowers driven beyond factory specified speed, temperature, pressure, flow or without proper alignment. Actual performance will vary depending on the operating environment and application. AMETEK products are not designed for and should not be used in medical life support applications. AMETEK reserves the right to revise its products without notification. The above characteristics represent standard products. For product designed to meet specific applications, contact AMETEK Technical & Industrial Products Sales department.

Remote Drive (Motorless) Blowers

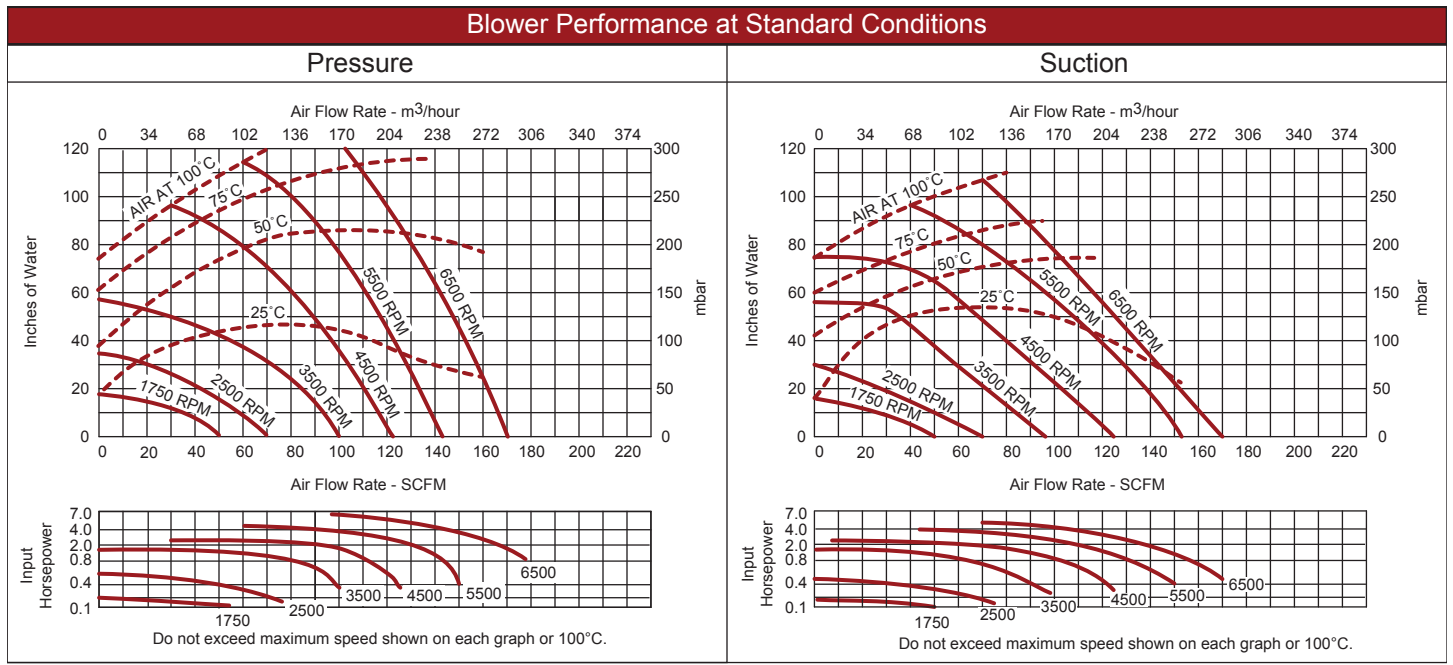
DR/EN/CP 404RD

ROTRON®



NOTES
 1 DRAWING NOT TO SCALE, CONTACT FACTORY FOR SCALE CAD DRAWING.
 2 CONTACT FACTORY FOR BLOWER MODEL LENGTHS NOT SHOWN.

		Specification IN/MM															
Model Number	Part Number	A	B	C	D	E	F	G	J	H	K	L	M	N	P	Q	R
DR404RDNT	036439	4.07	11.5	12.2	2.00	.188	.875	1.56	4.00	.50	5.00	5.12	1.50	6.17	4.5	4.00	11.54
		103.4	292.1	309.9	50.8	4.8	22.2	39.6	101.6	12.7	127	130	38.1	156.7	114.3	101.6	293.1
EN404RDML	038334	12.76	11.50	12.2	2.00	.188	.875	1.56	4.00	.50	5.00	5.12	1.50	6.17	4.5	4.00	11.54
		324.1	292.1	309.9	50.8	4.8	22.2	39.6	101.6	12.7	127	130	38.1	156.7	114.3	101.6	293.1



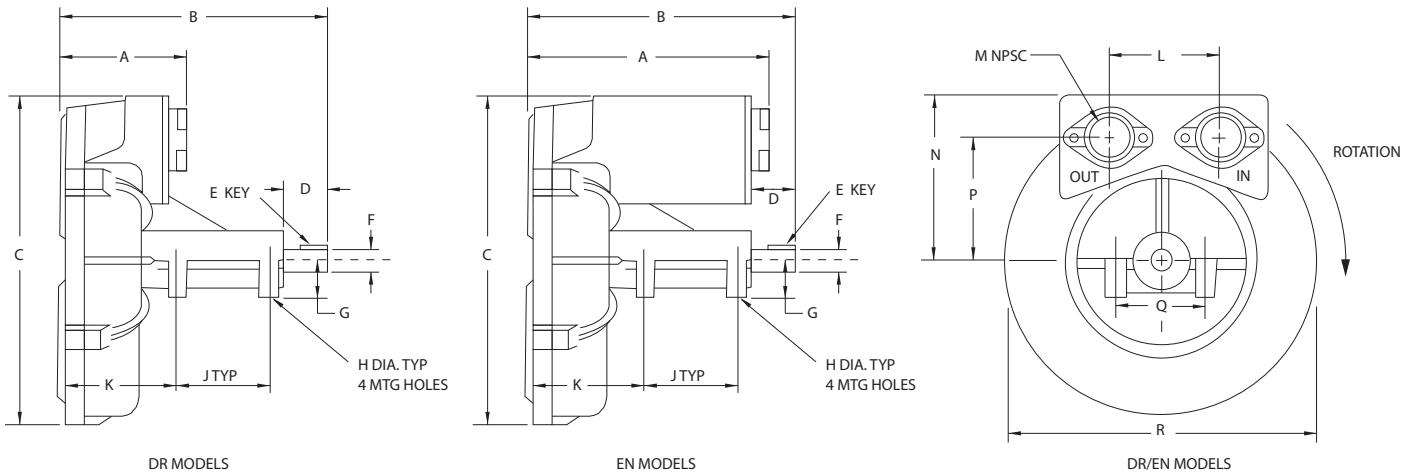
This document is for informational purposes only and should not be considered as a binding description of the products or their performance in all applications. The performance data on this page depicts typical performance under controlled laboratory conditions. AMETEK is not responsible for blowers driven beyond factory specified speed, temperature, pressure, flow or without proper alignment. Actual performance will vary depending on the operating environment and application. AMETEK products are not designed for and should not be used in medical life support applications. AMETEK reserves the right to revise its products without notification. The above characteristics represent standard products. For product designed to meet specific applications, contact AMETEK Technical & Industrial Products Sales department.

AMETEK TECHNICAL & INDUSTRIAL PRODUCTS
 75 North Street, Saugerties, NY 12477
 USA: +1 215-256-6601 - Europe: +44 (0) 845 366 9664 - Asia: +86 21 5763 1258
 Customer Service Fax: +1 215.256.1338
www.ametektip.com

Remote Drive (Motorless) Blowers

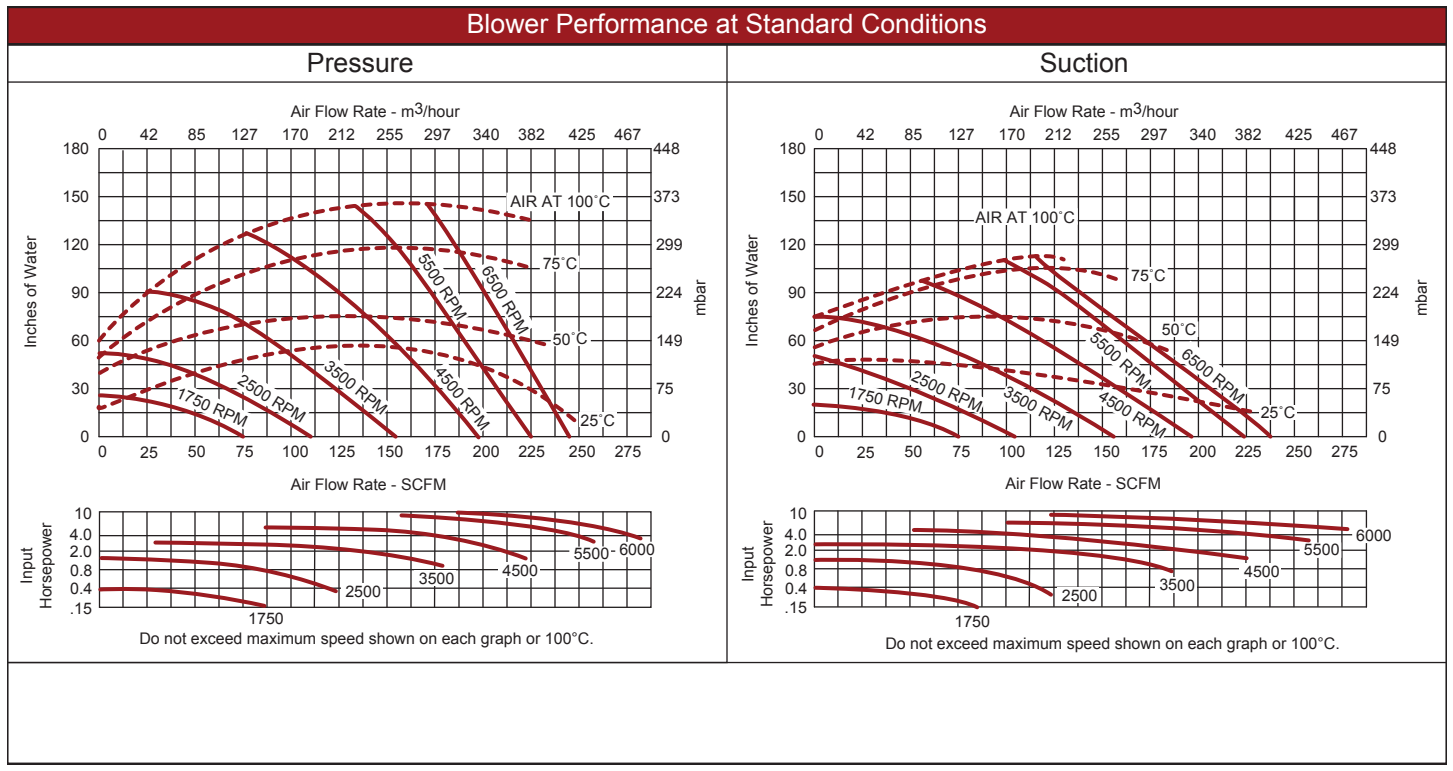
DR/EN/CP 505RD

ROTRON®



NOTES
 1 DRAWING NOT TO SCALE, CONTACT FACTORY FOR SCALE CAD DRAWING.
 2 CONTACT FACTORY FOR BLOWER MODEL LENGTHS NOT SHOWN.

		Specification IN/MM															
Model Number	Part Number	A	B	C	D	E	F	G	J	H	K	L	M	N	P	Q	R
DR505RDNT	036437	5.68	11.82	14.45	2.00	.188	.875	1.56	4.00	.50	5.31	4.75	1.50	7.31	5.33	4.00	13.53
		144.3	300.2	367	50.8	4.8	22.2	39.6	101.6	12.7	134.9	120.7	38.1	185.7	135.4	101.6	343.7
EN505RDML	038336	14.58	11.82	14.45	2.00	.188	.875	1.56	4.00	.50	5.31	4.75	1.50	7.31	5.33	4.00	13.53
		370.3	300.2	367	50.8	4.8	22.2	39.6	101.6	12.7	134.9	120.7	38.1	185.7	135.4	101.6	343.7



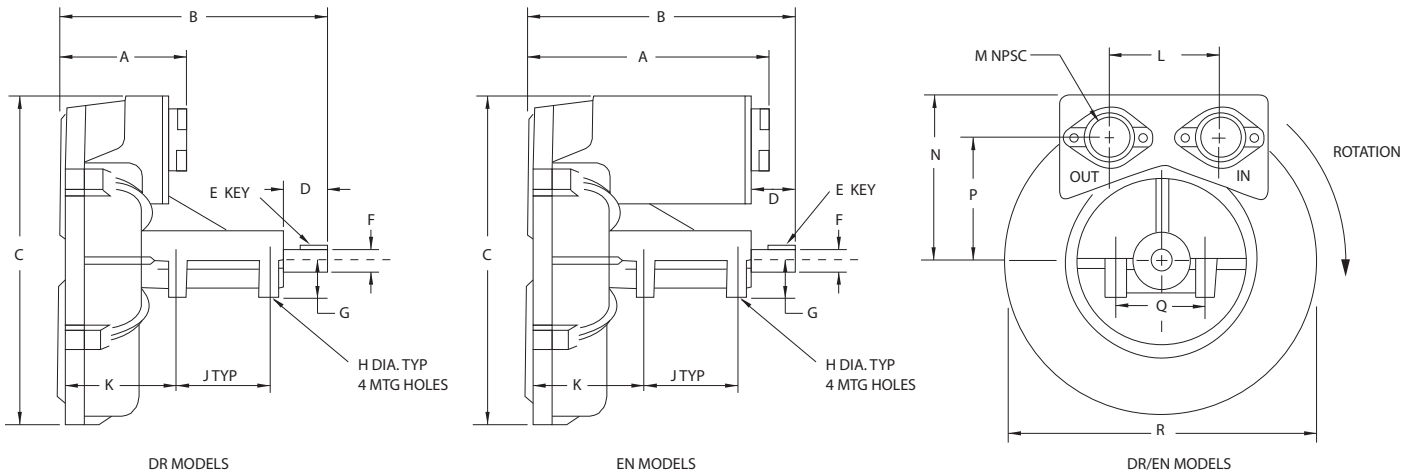
This document is for informational purposes only and should not be considered as a binding description of the products or their performance in all applications. The performance data on this page depicts typical performance under controlled laboratory conditions. AMETEK is not responsible for blowers driven beyond factory specified speed, temperature, pressure, flow or without proper alignment. Actual performance will vary depending on the operating environment and application. AMETEK products are not designed for and should not be used in medical life support applications. AMETEK reserves the right to revise its products without notification. The above characteristics represent standard products. For product designed to meet specific applications, contact AMETEK Technical & Industrial Products Sales department.

AMETEK TECHNICAL & INDUSTRIAL PRODUCTS
 75 North Street, Saugerties, NY 12477
 USA: +1 215-256-6601 - Europe: +44 (0) 845 366 9664 - Asia: +86 21 5763 1258
 Customer Service Fax: +1 215.256.1338
www.ametektip.com

Remote Drive (Motorless) Blowers

DR/EN/CP 513RD

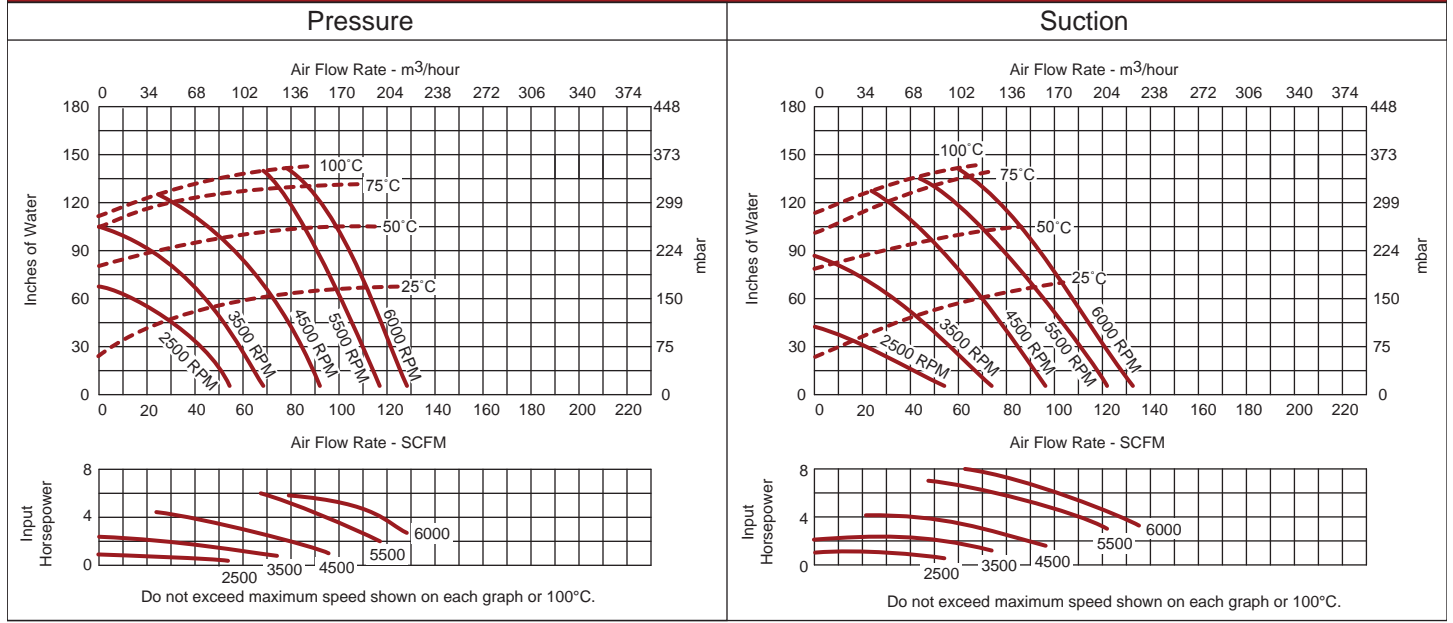
ROTRON®



NOTES
 1 DRAWING NOT TO SCALE, CONTACT FACTORY FOR SCALE CAD DRAWING.
 2 CONTACT FACTORY FOR BLOWER MODEL LENGTHS NOT SHOWN.

		Specification IN/MM															
Model Number	Part Number	A	B	C	D	E	F	G	J	H	K	L	M	N	P	Q	R
DR513RDNT	038076	13.66	6.07	16.12	2.00	.188	.875	1.56	.516	4.00	5.29	4.75	1.50	7.31	6.45	4.00	14.21
		347	154.2	409.4	50.8	4.8	22.2	39.6	13.1	101.6	134.4	120.7	38.1	185.7	163.8	101.6	360.9
EN513RDL	038341	11.90	13.66	16.12	2.00	.188	.875	1.56	.516	4.00	5.29	4.75	1.50	7.31	6.45	4.00	14.21
		302.3	347	409.4	50.8	4.8	22.2	39.6	13.1	101.6	134.4	120.7	38.1	185.7	163.8	101.6	360.9

Blower Performance at Standard Conditions



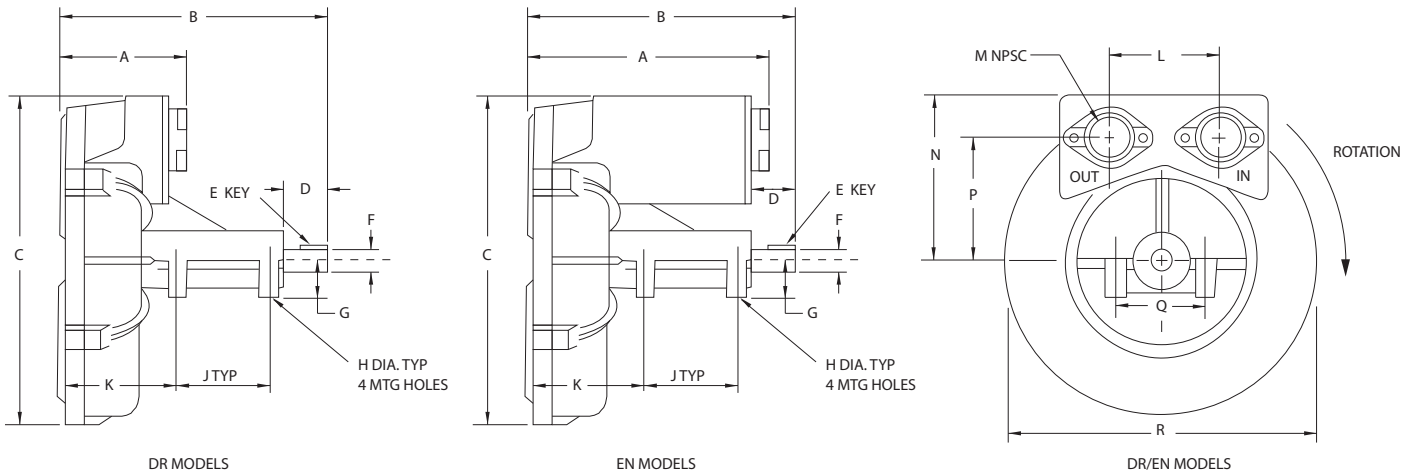
This document is for informational purposes only and should not be considered as a binding description of the products or their performance in all applications. The performance data on this page depicts typical performance under controlled laboratory conditions. AMETEK is not responsible for blowers driven beyond factory specified speed, temperature, pressure, flow or without proper alignment. Actual performance will vary depending on the operating environment and application. AMETEK products are not designed for and should not be used in medical life support applications. AMETEK reserves the right to revise its products without notification. The above characteristics represent standard products. For product designed to meet specific applications, contact AMETEK Technical & Industrial Products Sales department.

AMETEK TECHNICAL & INDUSTRIAL PRODUCTS
 75 North Street, Saugerties, NY 12477
 USA: +1 215-256-6601 - Europe: +44 (0) 845 366 9664 - Asia: +86 21 5763 1258
 Customer Service Fax: +1 215.256.1338
www.ametektip.com

Remote Drive (Motorless) Blowers

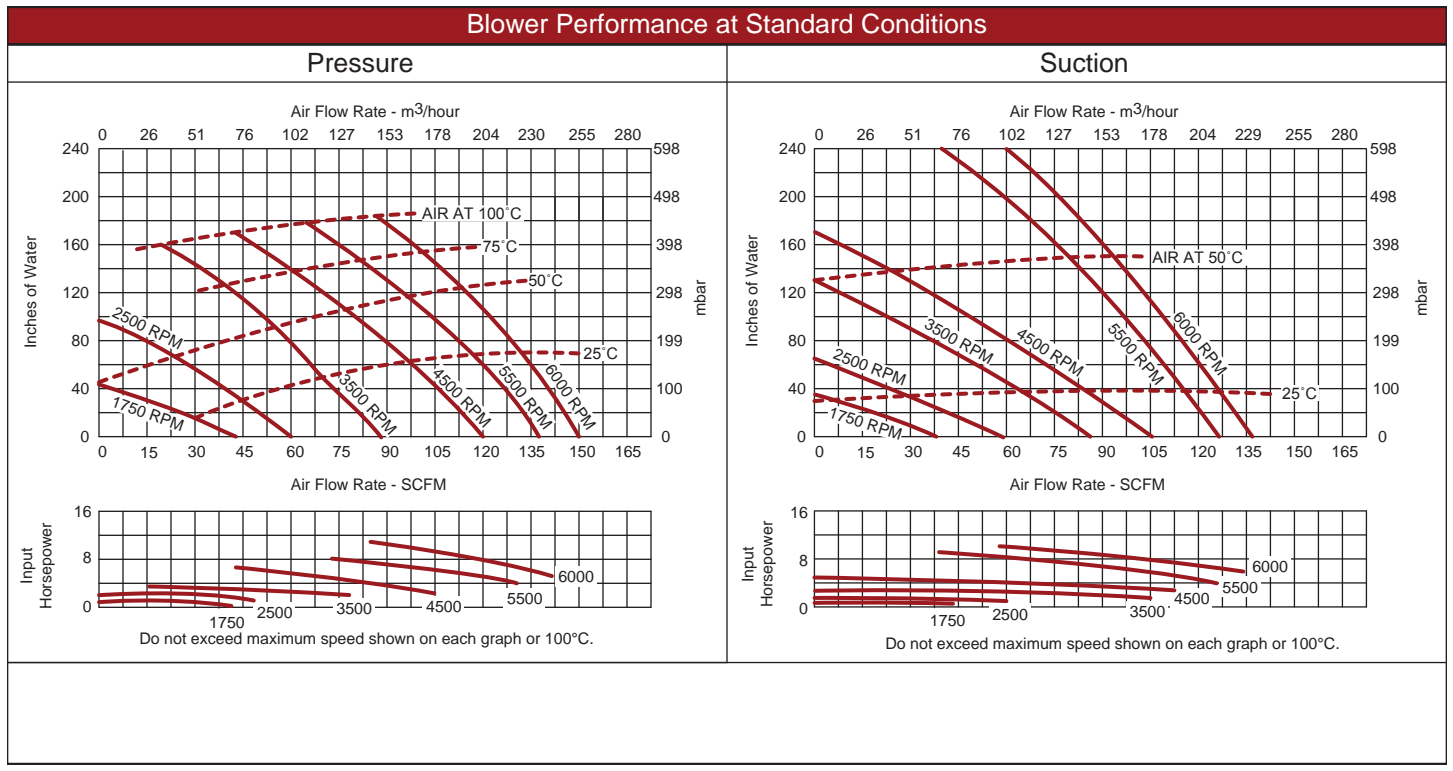
DR/EN/CP 523RD

ROTRON®



NOTES
 1 DRAWING NOT TO SCALE, CONTACT FACTORY FOR SCALE CAD DRAWING.
 2 CONTACT FACTORY FOR BLOWER MODEL LENGTHS NOT SHOWN.

		Specification IN/MM															
Model Number	Part Number	A	B	C	D	E	F	G	J	H	K	L	M	N	P	Q	R
DR523RDNT	037223	13.8	7.96	16.12	2.00	.188	.875	1.56	.516	4.00	7.18	4.75	1.50	7.31	6.45	4.00	14.21
		350.5	202.2	409.4	50.8	4.8	22.2	39.6	13.1	101.6	182.4	120.7	38.1	185.7	163.8	101.6	360.9
EN523RDL	038342	13.8	15.55	16.12	2.00	.188	.875	1.56	.516	4.00	7.18	4.75	1.50	7.31	6.45	4.00	14.21
		350.5	395	409.4	50.8	4.8	22.2	39.6	13.1	101.6	182.4	120.7	38.1	185.7	163.8	101.6	360.9



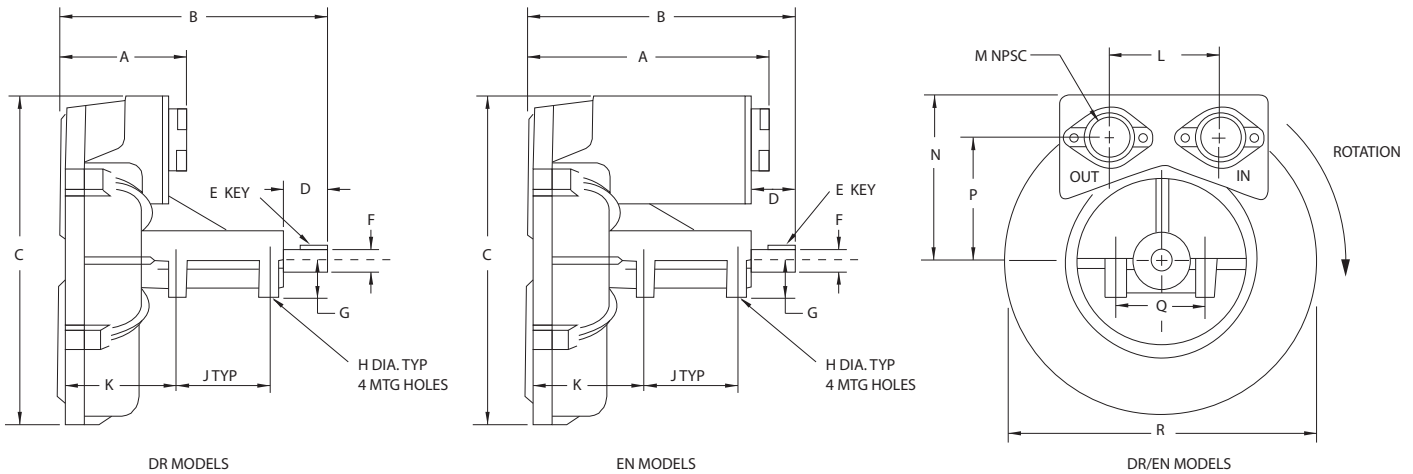
This document is for informational purposes only and should not be considered as a binding description of the products or their performance in all applications. The performance data on this page depicts typical performance under controlled laboratory conditions. AMETEK is not responsible for blowers driven beyond factory specified speed, temperature, pressure, flow or without proper alignment. Actual performance will vary depending on the operating environment and application. AMETEK products are not designed for and should not be used in medical life support applications. AMETEK reserves the right to revise its products without notification. The above characteristics represent standard products. For product designed to meet specific applications, contact AMETEK Technical & Industrial Products Sales department.

AMETEK TECHNICAL & INDUSTRIAL PRODUCTS
 75 North Street, Saugerties, NY 12477
 USA: +1 215-256-6601 - Europe: +44 (0) 845 366 9664 - Asia: +86 21 5763 1258
 Customer Service Fax: +1 215.256.1338
www.ametektip.com

Remote Drive (Motorless) Blowers

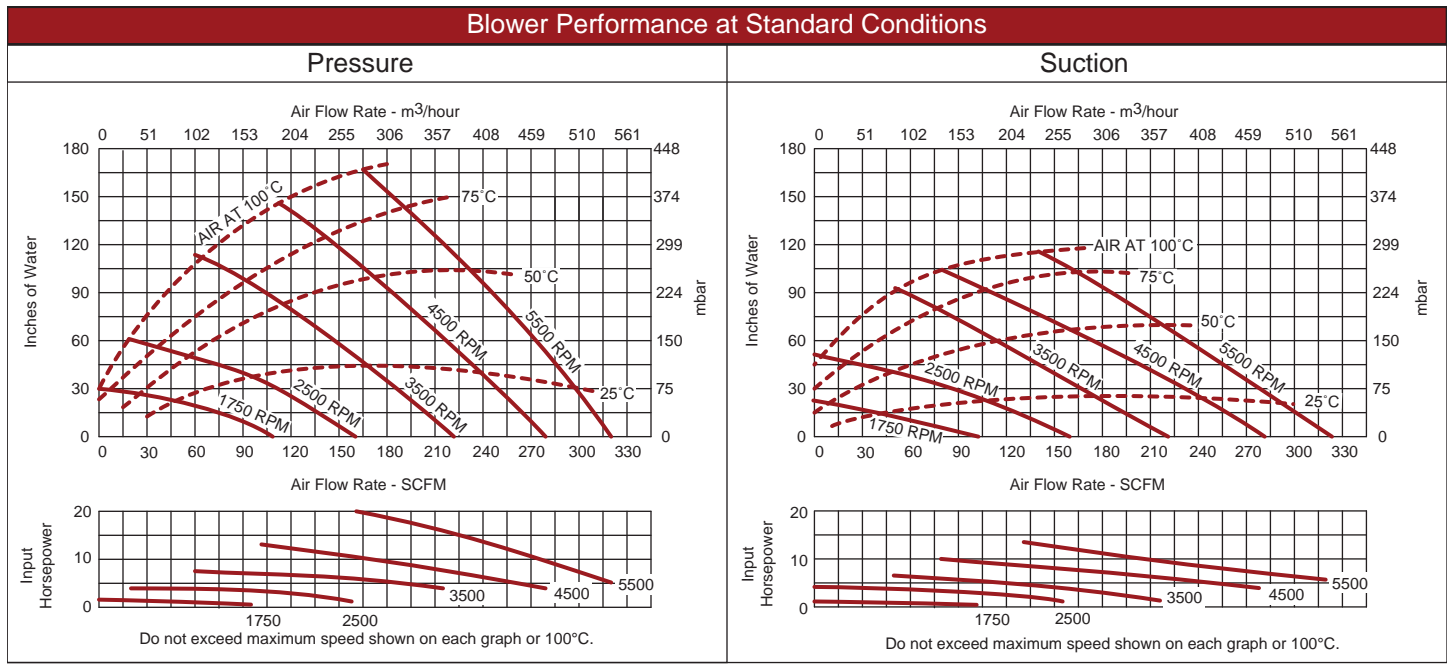
DR/EN/CP 6RD

ROTRON®



- NOTES
 1 DRAWING NOT TO SCALE, CONTACT FACTORY FOR SCALE CAD DRAWING.
 2 CONTACT FACTORY FOR BLOWER MODEL LENGTHS NOT SHOWN.

		Specification IN/MM															
Model Number	Part Number	A	B	C	D	E	F	G	J	H	K	L	M	N	P	Q	R
DR6RDNT	036185	15.00	5.85	16.34	3.62	.25	1.00	1.75	.505	4.50	6.10	6.50	2.00	8.19	5.6	4.50	16.34
		381	148.6	415	91.9	6.4	25.4	44.5	12.8	114.3	154.9	165.1	50.8	208	142.2	114.3	415
EN6RDL*	038343	15.00	5.85	16.34	3.62	.25	1.00	1.75	.505	4.50	6.10	6.50	2.00	8.19	5.6	4.50	16.34
		381	148.6	415	91.9	6.4	25.4	44.5	12.8	114.3	154.9	165.1	50.8	208	142.2	114.3	415



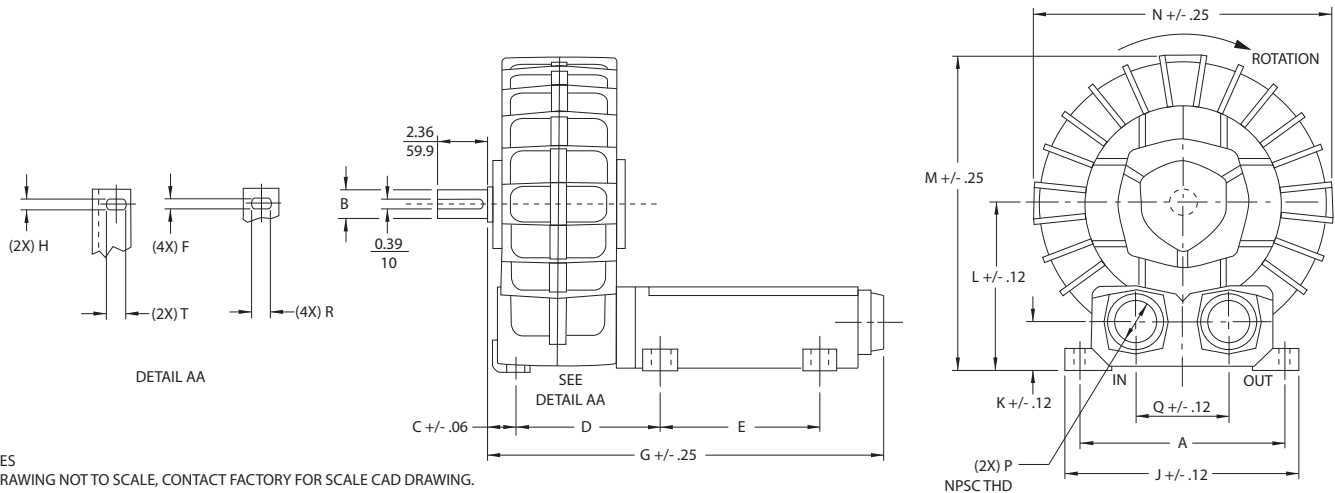
* Dual mufflers provided in place of muffler tower.

This document is for informational purposes only and should not be considered as a binding description of the products or their performance in all applications. The performance data on this page depicts typical performance under controlled laboratory conditions. AMETEK is not responsible for blowers driven beyond factory specified speed, temperature, pressure, flow or without proper alignment. Actual performance will vary depending on the operating environment and application. AMETEK products are not designed for and should not be used in medical life support applications. AMETEK reserves the right to revise its products without notification. The above characteristics represent standard products. For product designed to meet specific applications, contact AMETEK Technical & Industrial Products Sales department.

Remote Drive (Motorless) Blowers

DR/EN/CP 633RD

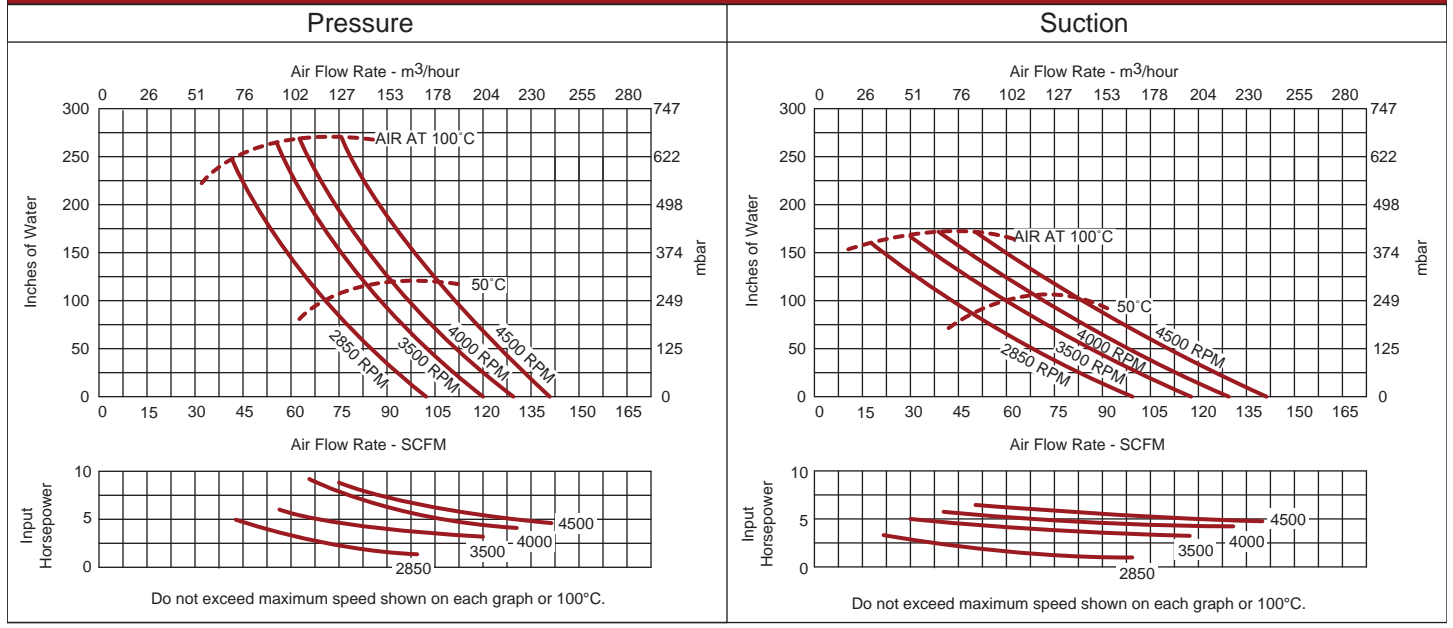
ROTRON®



- NOTES
 1. DRAWING NOT TO SCALE, CONTACT FACTORY FOR SCALE CAD DRAWING.
 2. CONTACT FACTORY FOR BLOWER MODEL LENGTHS NOT SHOWN.

		Specification IN/MM																
Model Number	Part Number	A	B	C	D	E	F	G	J	H	K	L	M	N	P	Q	R	T
DR633RD	081849	1.26	9.65	2.91	5.91	7.28	.394	19.31	0.39	10.63	2.17	9.25	17.32	16.53	2.00	4.13	0.98	1.57
		32	245.1	73.9	150.1	184.9	10	490.5	9.9	270	55.1	235	439.9	419.9	50.8	104.9	24.9	39.9
EN633RDL	081850	1.26	9.65	2.91	5.91	7.28	.394	19.31	0.39	10.63	2.17	9.25	17.32	16.53	2.00	4.13	0.98	1.57
		32	245.1	73.9	150.1	184.9	10	490.5	9.9	270	55.1	235	439.9	419.9	50.8	104.9	24.9	39.9

Blower Performance at Standard Conditions



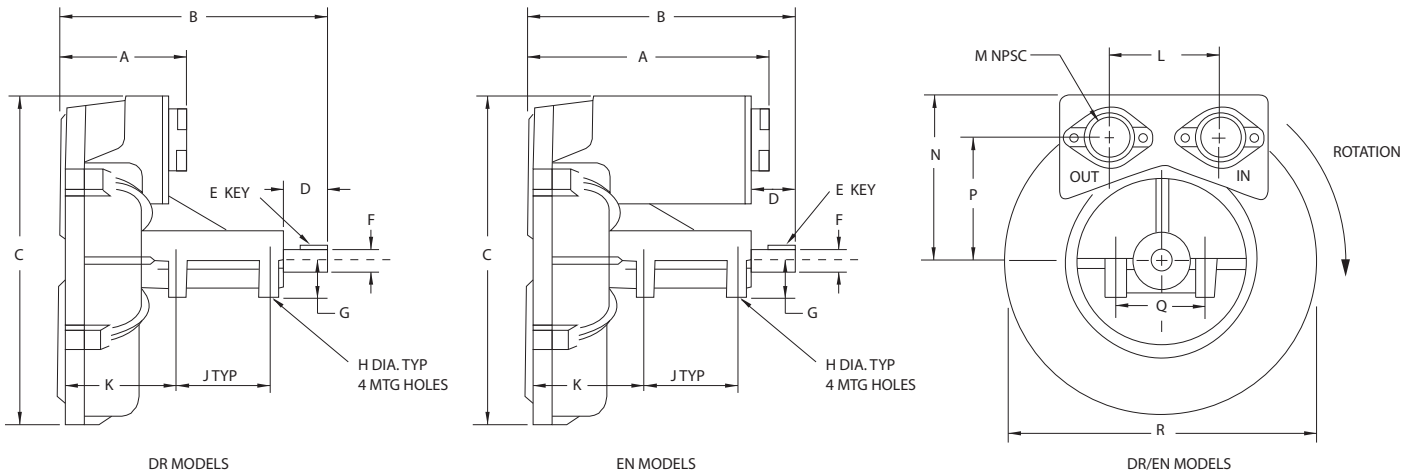
This document is for informational purposes only and should not be considered as a binding description of the products or their performance in all applications. The performance data on this page depicts typical performance under controlled laboratory conditions. AMETEK is not responsible for blowers driven beyond factory specified speed, temperature, pressure, flow or without proper alignment. Actual performance will vary depending on the operating environment and application. AMETEK products are not designed for and should not be used in medical life support applications. AMETEK reserves the right to revise its products without notification. The above characteristics represent standard products. For product designed to meet specific applications, contact AMETEK Technical & Industrial Products Sales department.

AMETEK TECHNICAL & INDUSTRIAL PRODUCTS
 75 North Street, Saugerties, NY 12477
 USA: +1 215-256-6601 - Europe: +44 (0) 845 366 9664 - Asia: +86 21 5763 1258
 Customer Service Fax: +1 215.256.1338
 www.ametektip.com

Remote Drive (Motorless) Blowers

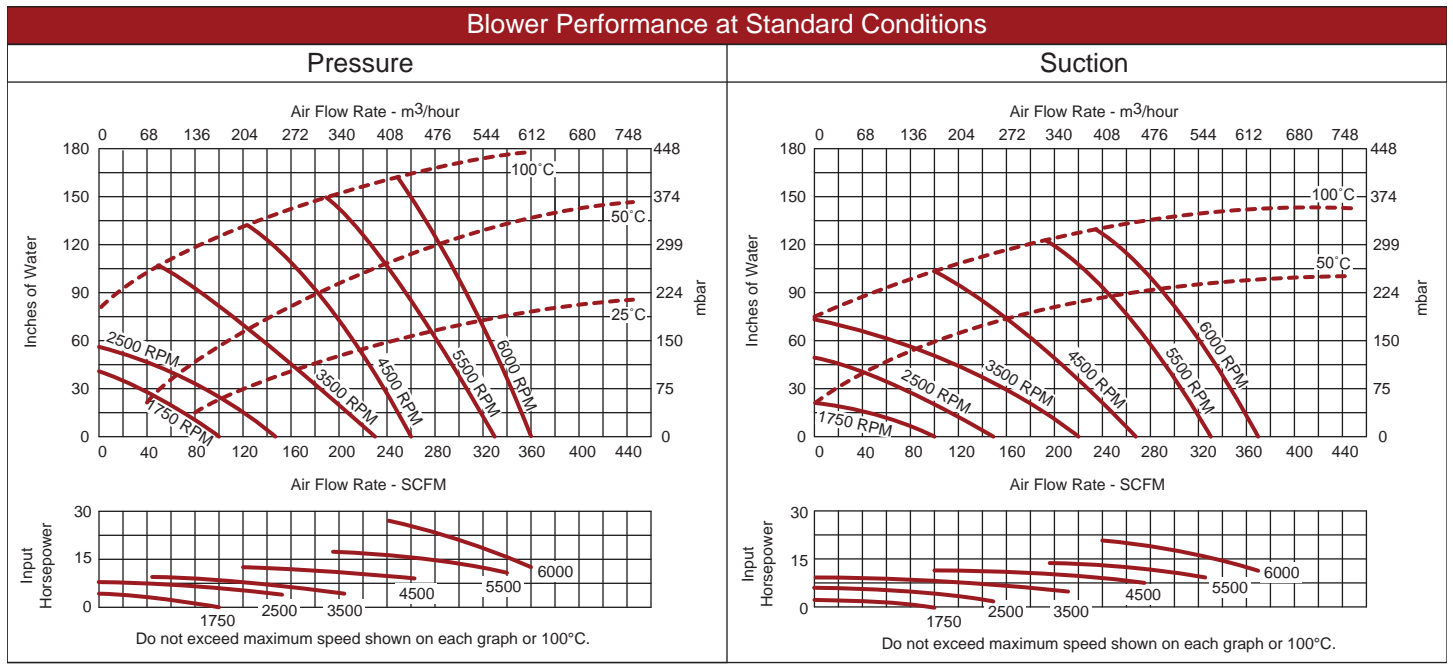
DR/EN/CP 656RD

ROTRON®



NOTES
 1 DRAWING NOT TO SCALE, CONTACT FACTORY FOR SCALE CAD DRAWING.
 2 CONTACT FACTORY FOR BLOWER MODEL LENGTHS NOT SHOWN.

		Specification IN/MM															
Model Number	Part Number	A	B	C	D	E	F	G	J	H	K	L	M	N	P	Q	R
DR656RDNT	080610	12.44	7.35	15.17	2.00	.188	.875	1.56	.50	4.00	5.83	4.92	2.00	7.46	5.51	4.00	15.42
		316	186.7	385.3	50.8	4.8	22.2	39.6	12.7	101.6	148.1	125	50.8	189.5	140	101.6	391.7
EN656RDL	080061	14.6	15.12	15.17	2.00	.188	.875	1.56	.50	4.00	5.83	4.92	2.00	7.46	5.51	4.00	15.42
		370.8	384	385.3	50.8	4.8	22.2	39.6	12.7	101.6	148.1	125	50.8	189.5	140	101.6	391.7



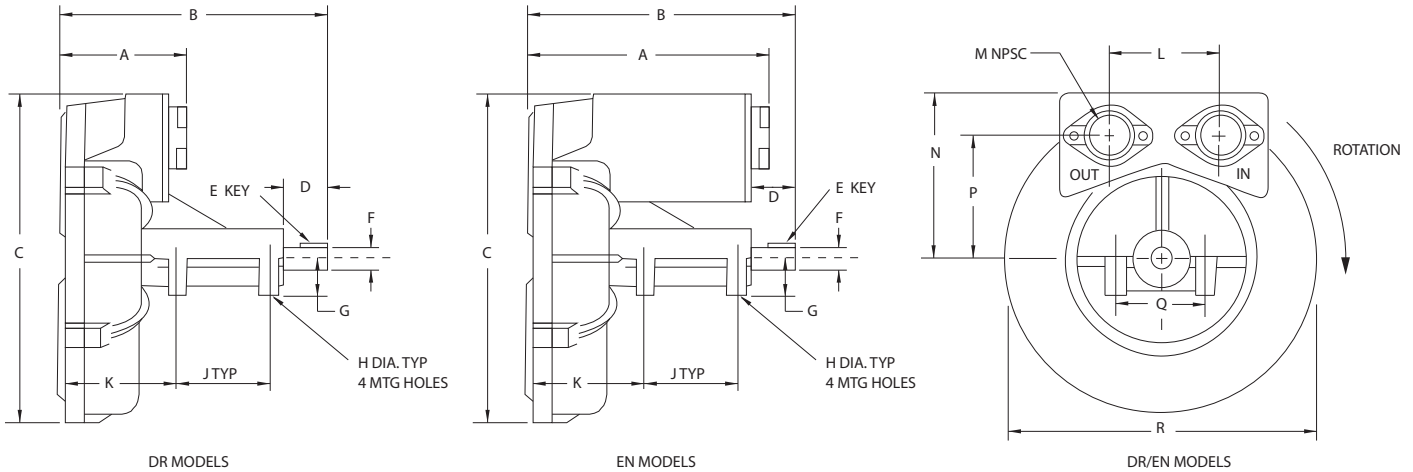
This document is for informational purposes only and should not be considered as a binding description of the products or their performance in all applications. The performance data on this page depicts typical performance under controlled laboratory conditions. AMETEK is not responsible for blowers driven beyond factory specified speed, temperature, pressure, flow or without proper alignment. Actual performance will vary depending on the operating environment and application. AMETEK products are not designed for and should not be used in medical life support applications. AMETEK reserves the right to revise its products without notification. The above characteristics represent standard products. For product designed to meet specific applications, contact AMETEK Technical & Industrial Products Sales department.

AMETEK TECHNICAL & INDUSTRIAL PRODUCTS
 75 North Street, Saugerties, NY 12477
 USA: +1 215-256-6601 - Europe: +44 (0) 845 366 9664 - Asia: +86 21 5763 1258
 Customer Service Fax: +1 215.256.1338
www.ametektip.com

Remote Drive (Motorless) Blowers

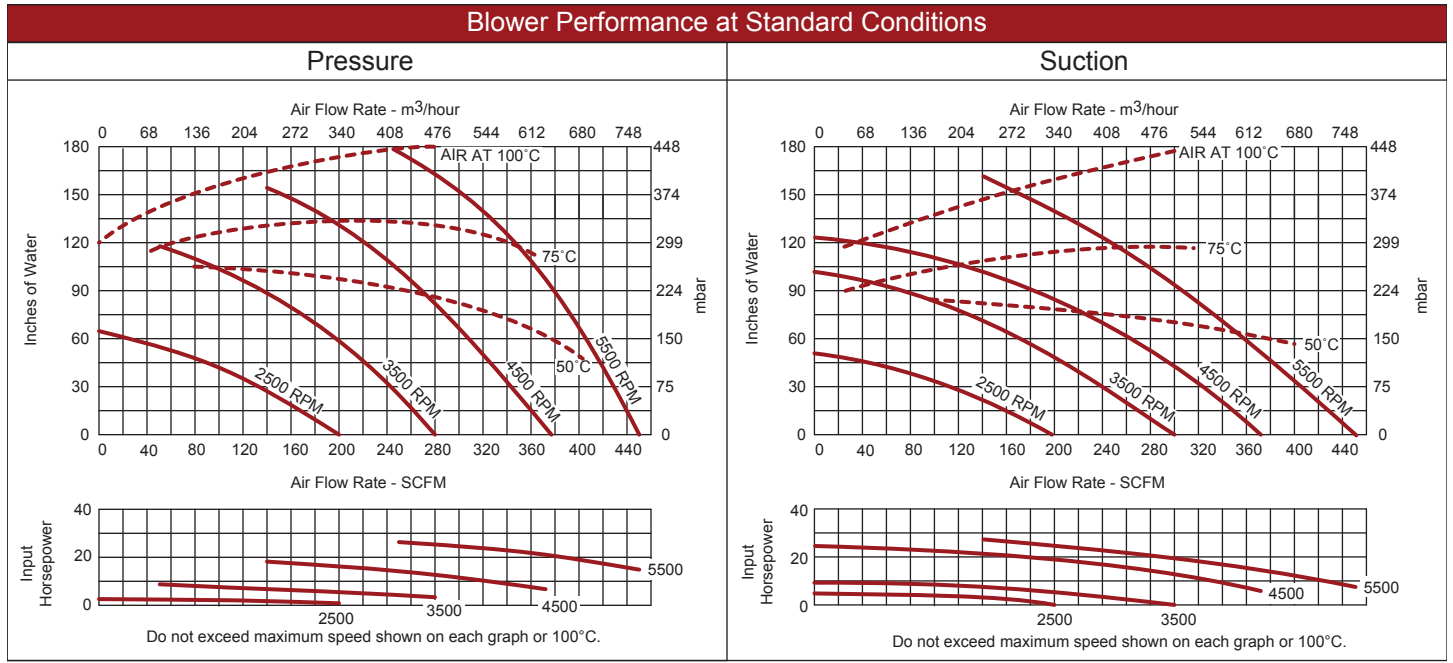
DR/EN/CP 757RD

ROTRON®



- NOTES
 1 DRAWING NOT TO SCALE, CONTACT FACTORY FOR SCALE CAD DRAWING.
 2 CONTACT FACTORY FOR BLOWER MODEL LENGTHS NOT SHOWN.

		Specification IN/MM															
Model Number	Part Number	A	B	C	D	E	F	G	J	H	K	L	M	N	P	Q	R
DR757RDNT	081847	6.67	15.06	17.25	3.62	.25	1.00	1.75	.505	4.50	6.19	6.44	2.50	9.22	6.40	4.50	16.11
		169.4	382.5	438.2	91.9	6.4	25.4	44.5	12.8	114.3	157.2	163.6	63.5	234.2	162.6	114.3	409.2
EN757RDML	081848	20.23	15.06	17.25	3.62	.25	1.00	1.75	4.50	.505	6.19	6.44	2.50	9.22	6.40	4.50	16.11
		513.8	382.5	438.2	91.9	6.4	25.4	44.5	114.3	12.8	157.2	163.6	63.5	234.2	162.6	114.3	409.2



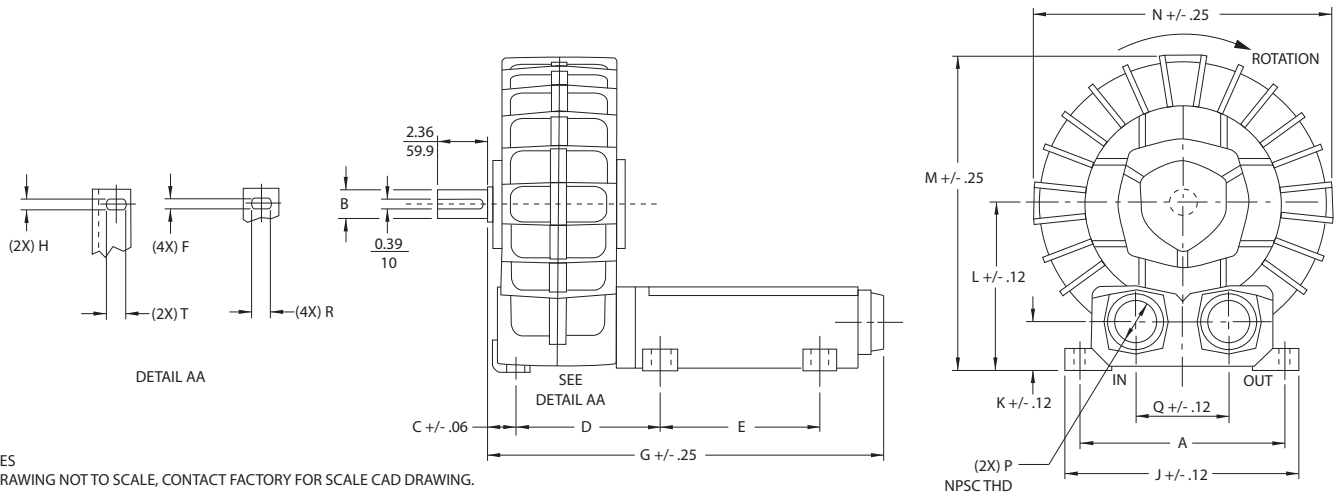
This document is for informational purposes only and should not be considered as a binding description of the products or their performance in all applications. The performance data on this page depicts typical performance under controlled laboratory conditions. AMETEK is not responsible for blowers driven beyond factory specified speed, temperature, pressure, flow or without proper alignment. Actual performance will vary depending on the operating environment and application. AMETEK products are not designed for and should not be used in medical life support applications. AMETEK reserves the right to revise its products without notification. The above characteristics represent standard products. For product designed to meet specific applications, contact AMETEK Technical & Industrial Products Sales department.

AMETEK TECHNICAL & INDUSTRIAL PRODUCTS
 75 North Street, Saugerties, NY 12477
 USA: +1 215-256-6601 - Europe: +44 (0) 845 366 9664 - Asia: +86 21 5763 1258
 Customer Service Fax: +1 215.256.1338
www.ametektip.com

Remote Drive (Motorless) Blowers

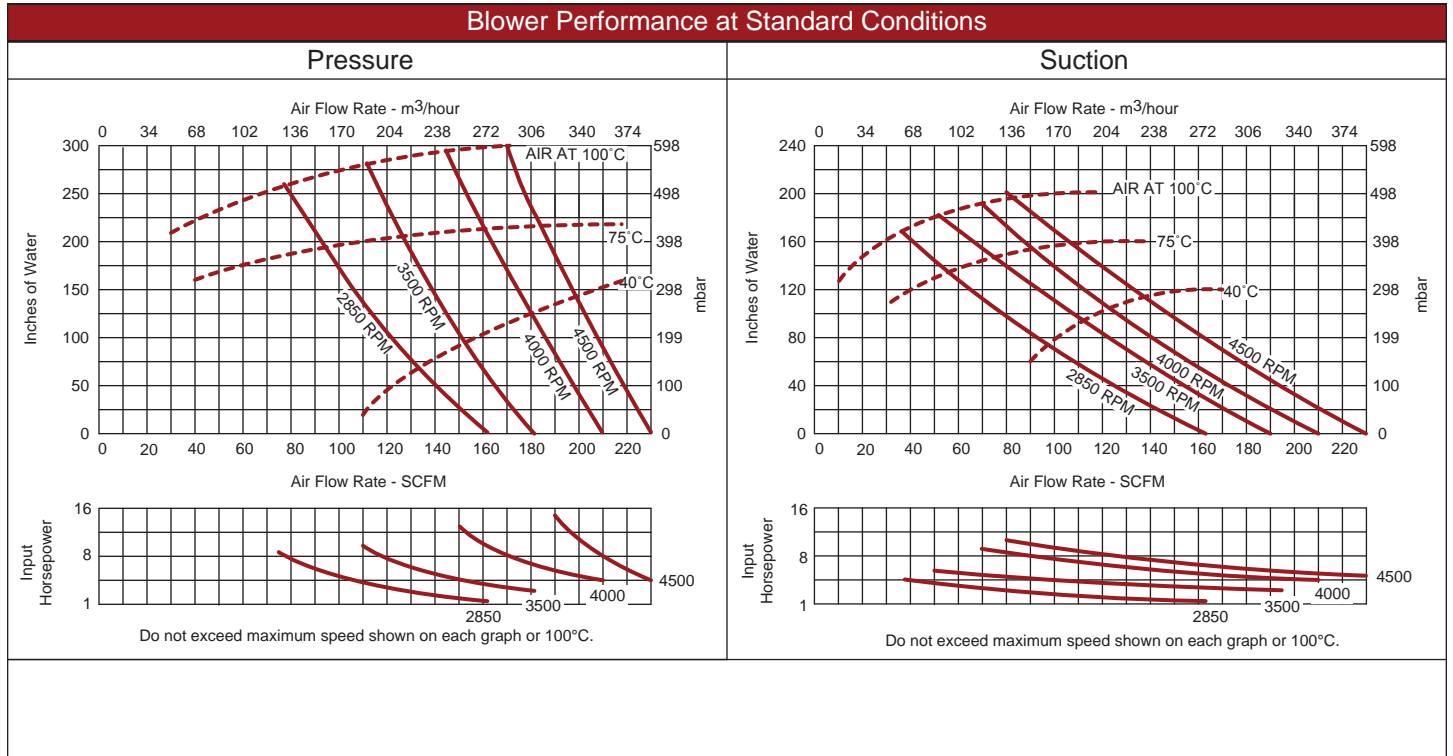
DR/EN/CP 833RD

ROTRON®



NOTES
 1. DRAWING NOT TO SCALE, CONTACT FACTORY FOR SCALE CAD DRAWING.
 2. CONTACT FACTORY FOR BLOWER MODEL LENGTHS NOT SHOWN.

		Specification IN/MM																
Model Number	Part Number	A	B	C	D	E	F	G	J	H	K	L	M	N	P	Q	R	T
DR833RD	081851	1.26	14.96	2.52	7.28	9.25	.551	22.54	0.43	16.34	2.91	11.57	21.82	20.47	3.00	6.69	0.89	1.37
		32	380	64	184.9	235	14	572.5	10.9	415	73.9	293.9	554.2	519.9	76.2	169.9	22.6	34.8
EN833RDL	081852	1.26	14.96	2.52	7.28	9.25	.551	22.54	0.43	16.34	2.91	11.57	21.82	20.47	3.00	6.69	0.89	1.37
		32	380	64	184.9	235	14	572.5	10.9	415	73.9	293.9	554.2	519.9	76.2	169.9	22.6	34.8

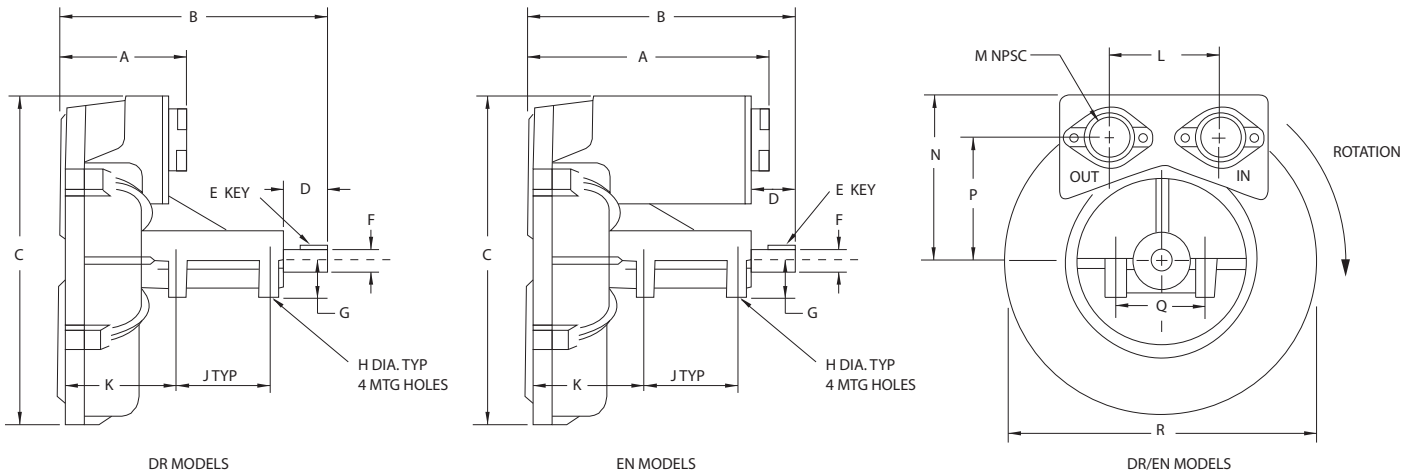


This document is for informational purposes only and should not be considered as a binding description of the products or their performance in all applications. The performance data on this page depicts typical performance under controlled laboratory conditions. AMETEK is not responsible for blowers driven beyond factory specified speed, temperature, pressure, flow or without proper alignment. Actual performance will vary depending on the operating environment and application. AMETEK products are not designed for and should not be used in medical life support applications. AMETEK reserves the right to revise its products without notification. The above characteristics represent standard products. For product designed to meet specific applications, contact AMETEK Technical & Industrial Products Sales department.

Remote Drive (Motorless) Blowers

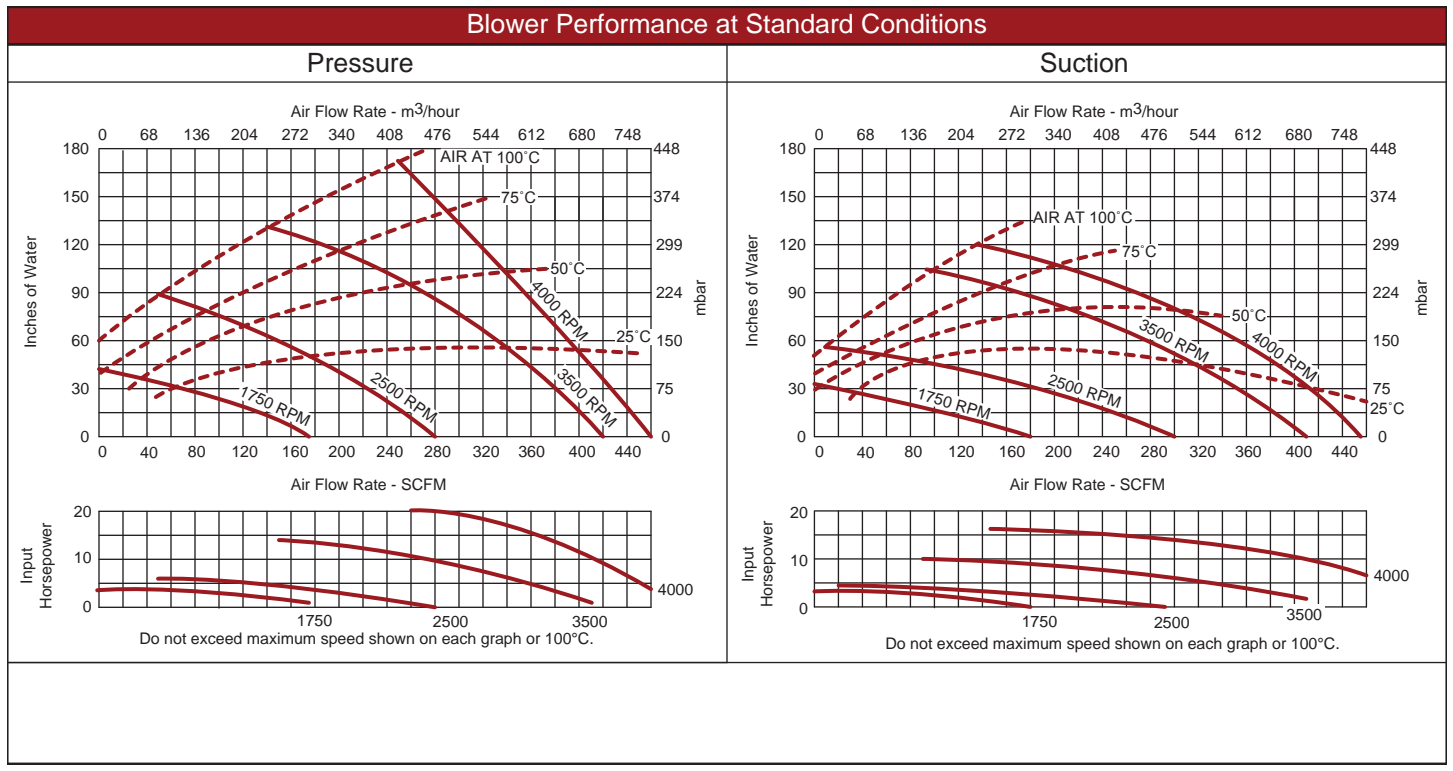
DR/EN/CP 858RD

ROTRON®



NOTES
 1 DRAWING NOT TO SCALE, CONTACT FACTORY FOR SCALE CAD DRAWING.
 2 CONTACT FACTORY FOR BLOWER MODEL LENGTHS NOT SHOWN.

		Specification IN/MM															
Model Number	Part Number	A	B	C	D	E	F	G	J	H	K	L	M	N	P	Q	R
DR858RDNT	036413	19.30	8.51	20.86	3.50	.313	1.38	2.00	.641	5.00	9.49	7.09	2.50	11.56	8.16	5.00	18.6
		490.2	216.2	529.8	88.9	8	35.1	50.8	16.3	127	241	180.1	63.5	293.6	207.3	127	472.4
EN858RDL	038746	19.30	22.22	20.86	3.50	.313	1.38	2.00	.641	5.00	9.49	7.09	2.50	11.56	8.16	5.00	18.6
		490.2	564.4	529.8	88.9	8	35.1	50.8	16.3	127	241	180.1	63.5	293.6	207.3	127	472.4



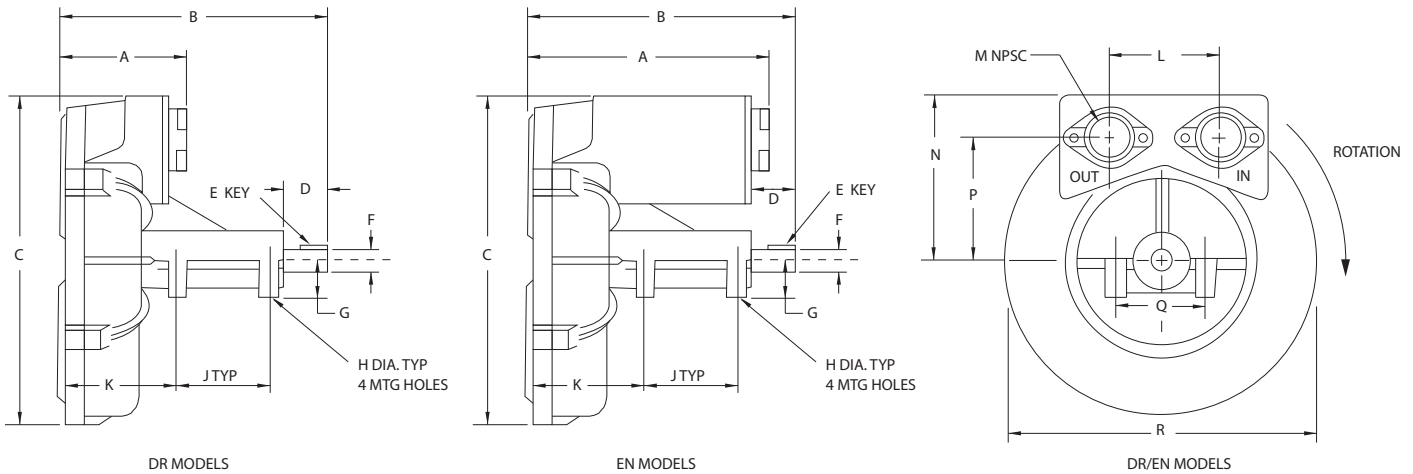
This document is for informational purposes only and should not be considered as a binding description of the products or their performance in all applications. The performance data on this page depicts typical performance under controlled laboratory conditions. AMETEK is not responsible for blowers driven beyond factory specified speed, temperature, pressure, flow or without proper alignment. Actual performance will vary depending on the operating environment and application. AMETEK products are not designed for and should not be used in medical life support applications. AMETEK reserves the right to revise its products without notification. The above characteristics represent standard products. For product designed to meet specific applications, contact AMETEK Technical & Industrial Products Sales department.

AMETEK TECHNICAL & INDUSTRIAL PRODUCTS
 75 North Street, Saugerties, NY 12477
 USA: +1 215-256-6601 - Europe: +44 (0) 845 366 9664 - Asia: +86 21 5763 1258
 Customer Service Fax: +1 215.256.1338
www.ametektip.com

Remote Drive (Motorless) Blowers

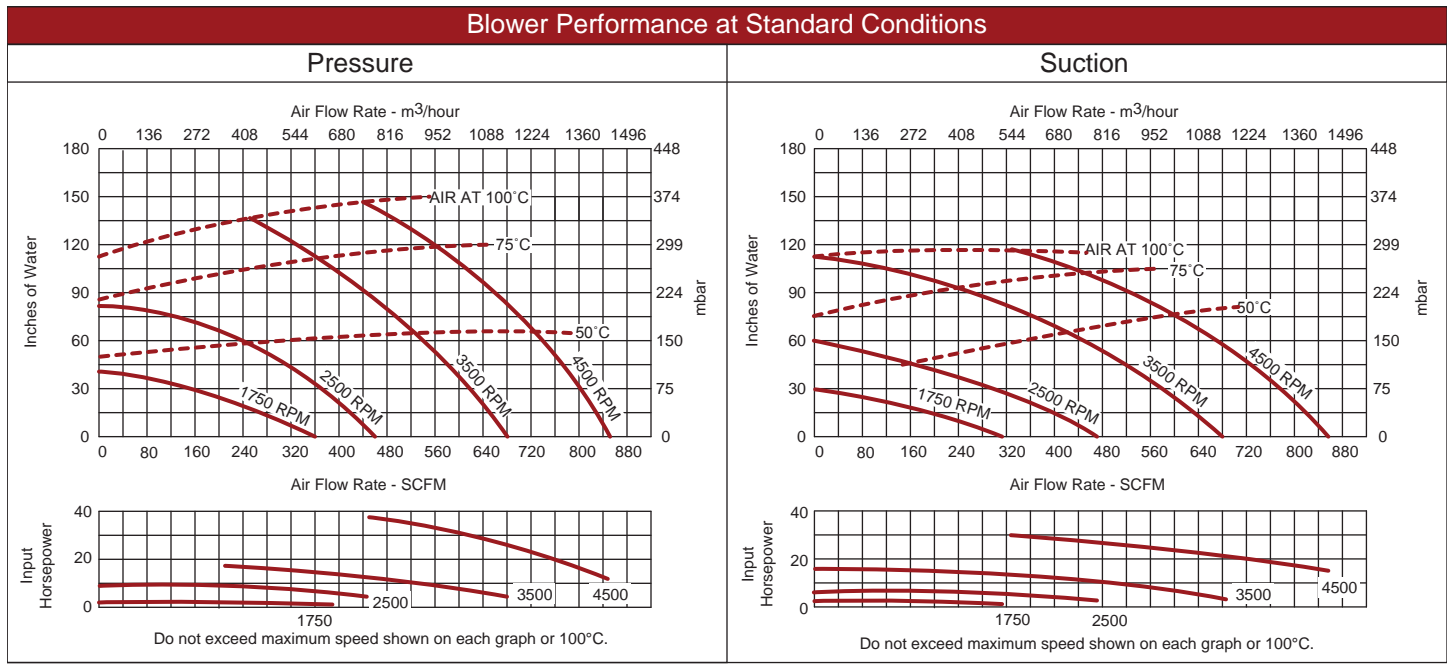
DR/EN/CP 909RD

ROTRON®



NOTES
 1 DRAWING NOT TO SCALE, CONTACT FACTORY FOR SCALE CAD DRAWING.
 2 CONTACT FACTORY FOR BLOWER MODEL LENGTHS NOT SHOWN.

		Specification IN/MM															
Model Number	Part Number	A	B	C	D	E	F	G	J	H	K	L	M	N	P	Q	R
DR909RDNT	036921	22.8	8.53	23.22	3.50	.500	1.375	2.00	.765	5.00	9.70	8.34	3.01	12.97	9.02	5.00	19.8
		579.1	216.7	589.8	88.9	12.7	34.9	50.8	19.4	127	246.4	211.8	76.5	329.4	229.1	127	502.9
EN909RDL	038702	22.8	24.51	23.22	3.50	.500	1.375	2.00	.765	5.00	9.70	8.34	4.00	12.97	9.02	5.00	19.8
		579.1	622.6	589.8	88.9	12.7	34.9	50.8	19.4	127	246.4	211.8	101.6	329.4	229.1	127	502.9



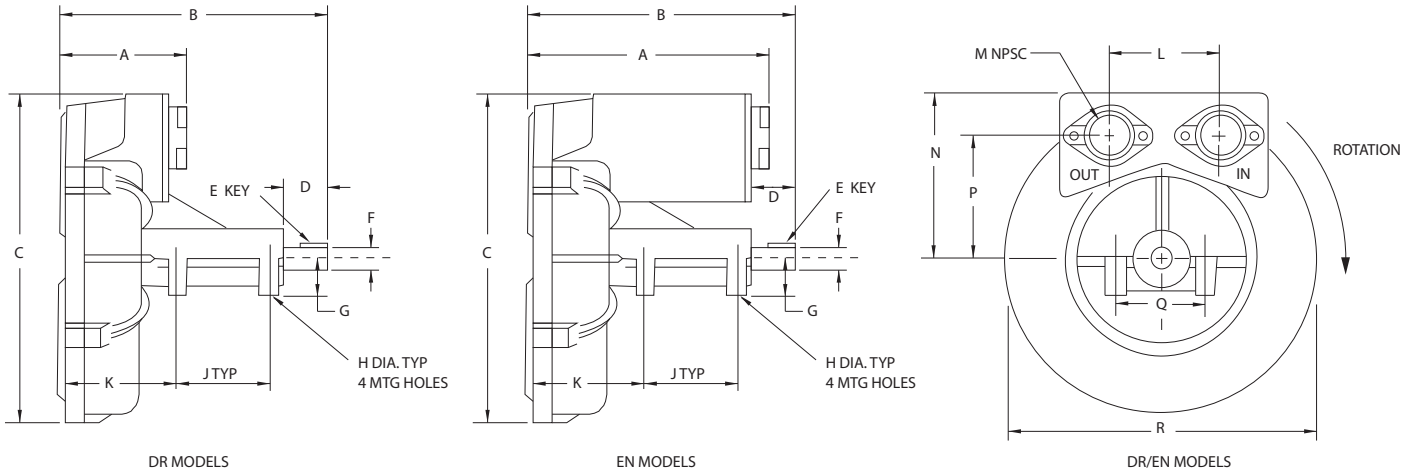
This document is for informational purposes only and should not be considered as a binding description of the products or their performance in all applications. The performance data on this page depicts typical performance under controlled laboratory conditions. AMETEK is not responsible for blowers driven beyond factory specified speed, temperature, pressure, flow or without proper alignment. Actual performance will vary depending on the operating environment and application. AMETEK products are not designed for and should not be used in medical life support applications. AMETEK reserves the right to revise its products without notification. The above characteristics represent standard products. For product designed to meet specific applications, contact AMETEK Technical & Industrial Products Sales department.

AMETEK TECHNICAL & INDUSTRIAL PRODUCTS
 75 North Street, Saugerties, NY 12477
 USA: +1 215-256-6601 - Europe: +44 (0) 845 366 9664 - Asia: +86 21 5763 1258
 Customer Service Fax: +1 215.256.1338
www.ametektip.com

Remote Drive (Motorless) Blowers

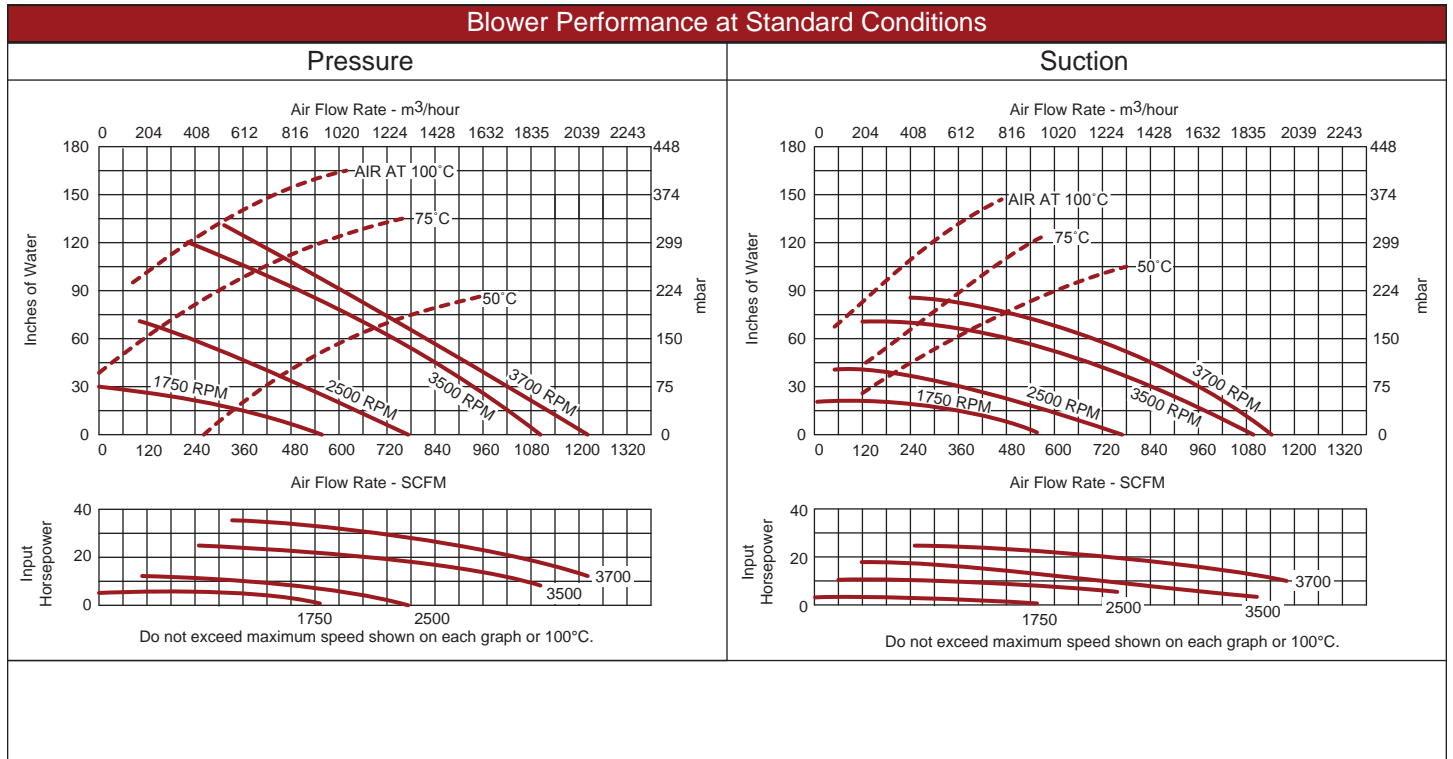
DR/EN/CP 979RD

ROTRON®



- NOTES
 1 DRAWING NOT TO SCALE, CONTACT FACTORY FOR SCALE CAD DRAWING.
 2 CONTACT FACTORY FOR BLOWER MODEL LENGTHS NOT SHOWN.

		Specification IN/MM															
Model Number	Part Number	A	B	C	D	E	F	G	J	H	K	L	M	N	P	Q	R
DR979RDNT	080760	23.5	10.5	19.78	3.00	.50	1.88	2.75	.765	6.75	11.7	9.76	4.00	10.15	6.63	7.55	19.25
		596.9	266.7	502.4	76.2	12.7	47.8	69.9	19.4	171.5	297.2	247.9	101.6	257.8	168.4	191.8	489
EN979RDL	080761	23.5	25.17	19.78	3.00	.50	1.88	2.75	.765	6.75	11.7	9.76	4.00	10.15	6.63	7.55	19.25
		596.9	639.3	502.4	76.2	12.7	47.8	69.9	19.4	171.5	297.2	247.9	101.6	257.8	168.4	191.8	489

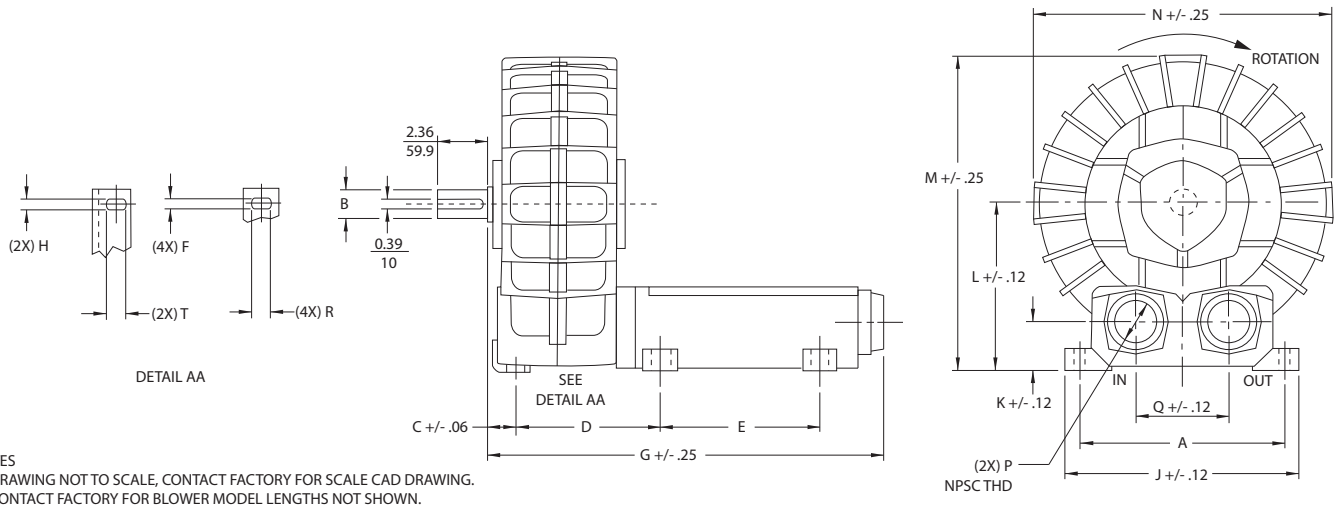


This document is for informational purposes only and should not be considered as a binding description of the products or their performance in all applications. The performance data on this page depicts typical performance under controlled laboratory conditions. AMETEK is not responsible for blowers driven beyond factory specified speed, temperature, pressure, flow or without proper alignment. Actual performance will vary depending on the operating environment and application. AMETEK products are not designed for and should not be used in medical life support applications. AMETEK reserves the right to revise its products without notification. The above characteristics represent standard products. For product designed to meet specific applications, contact AMETEK Technical & Industrial Products Sales department.

Remote Drive (Motorless) Blowers

DR/EN/CP 1233RD

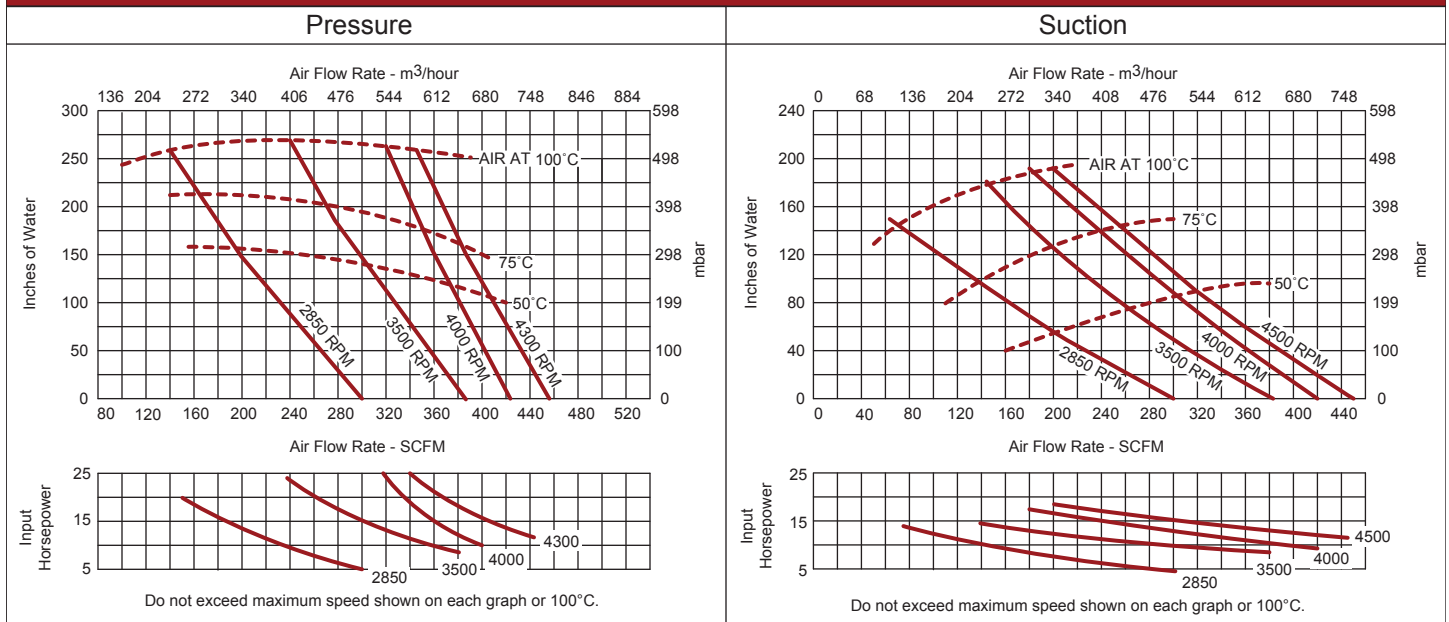
ROTRON®



- NOTES
 1. DRAWING NOT TO SCALE, CONTACT FACTORY FOR SCALE CAD DRAWING.
 2. CONTACT FACTORY FOR BLOWER MODEL LENGTHS NOT SHOWN.

		Specification																
Model Number	Part Number	A	B	C	D	E	F	G	J	H	K	L	M	N	P	Q	R	T
DR1233RD	081853	14.96	1.50	2.36	9.45	12.80	.551	28.22	16.34	0.43	3.15	11.81	22.05	20.47	4.00	6.69	0.93	1.37
		380	38.1	59.9	240	325.1	14	716.8	415	10.9	80	300	560.1	519.9	101.6	169.9	23.6	34.8
EN1233RDL	081854	14.96	1.50	2.36	9.45	12.80	.551	28.22	16.34	0.43	3.15	11.81	22.05	20.47	4.00	6.89	0.93	1.37
		380	38.1	59.9	240	325.1	14	716.8	415	10.9	80	300	560.1	519.9	101.6	175	23.6	34.8

Blower Performance at Standard Conditions

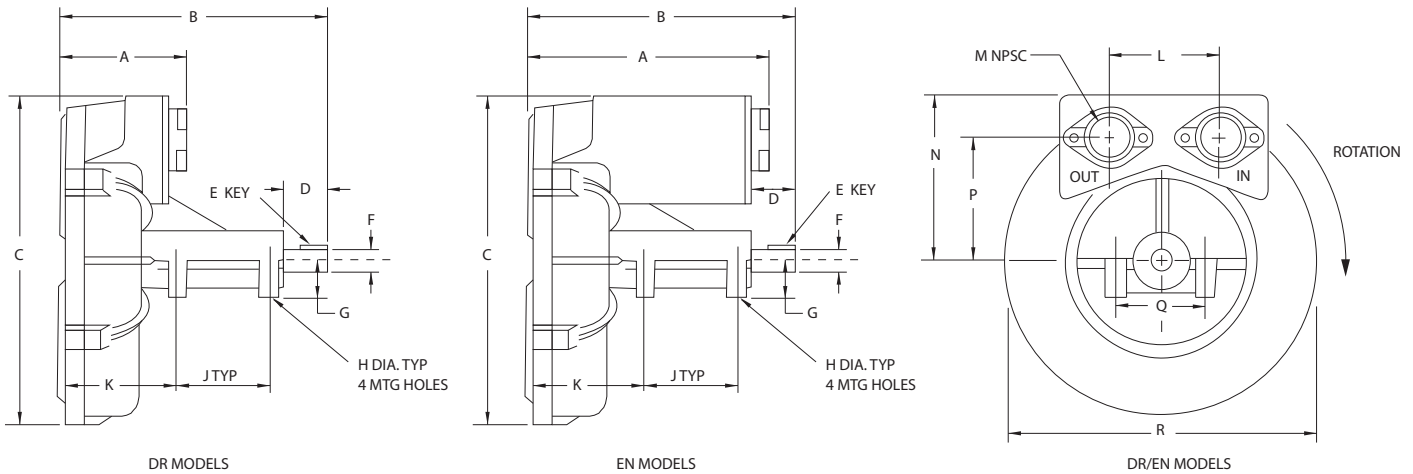


This document is for informational purposes only and should not be considered as a binding description of the products or their performance in all applications. The performance data on this page depicts typical performance under controlled laboratory conditions. AMETEK is not responsible for blowers driven beyond factory specified speed, temperature, pressure, flow or without proper alignment. Actual performance will vary depending on the operating environment and application. AMETEK products are not designed for and should not be used in medical life support applications. AMETEK reserves the right to revise its products without notification. The above characteristics represent standard products. For product designed to meet specific applications, contact AMETEK Technical & Industrial Products Sales department.

Remote Drive (Motorless) Blowers

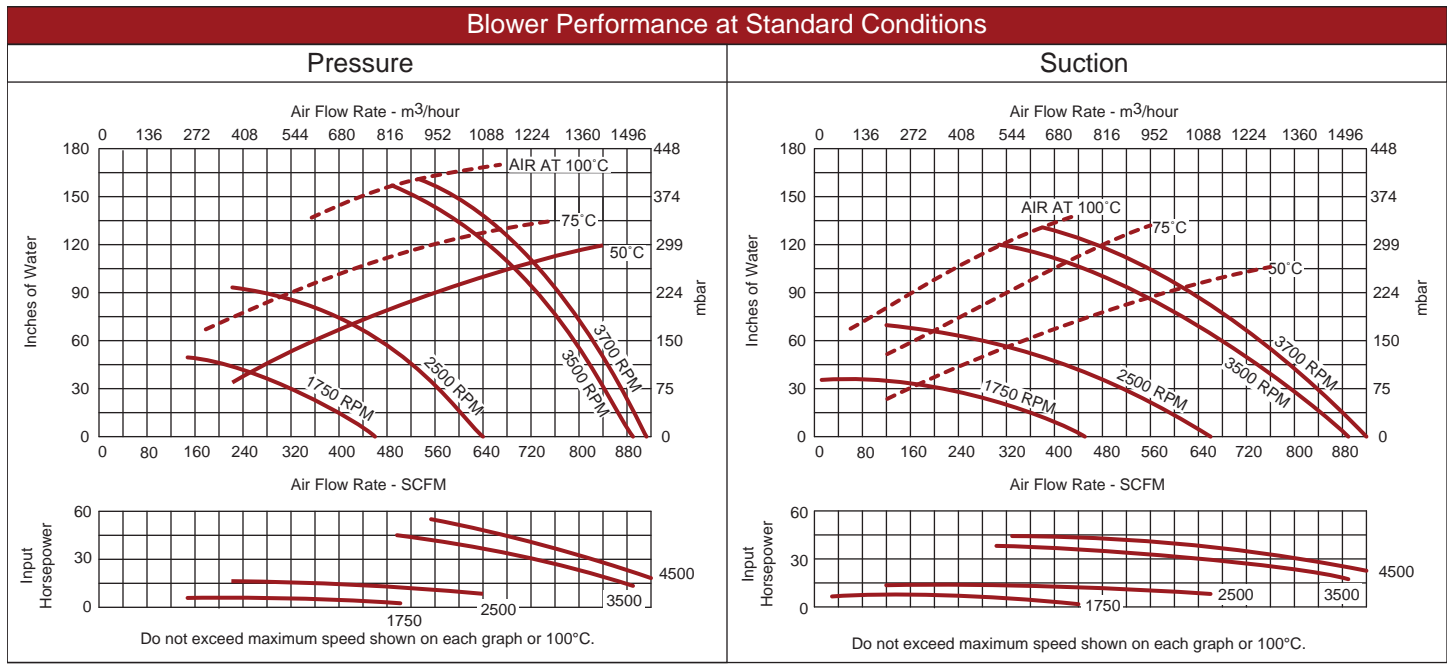
DR/EN/CP 14RD

ROTRON®



- NOTES
 1 DRAWING NOT TO SCALE, CONTACT FACTORY FOR SCALE CAD DRAWING.
 2 CONTACT FACTORY FOR BLOWER MODEL LENGTHS NOT SHOWN.

		Specification IN/MM															
Model Number	Part Number	A	B	C	D	E	F	G	J	H	K	L	M	N	P	Q	R
DR14RDNT	081475	22.24	9.87	26.54	4.00	.50	1.875	2.75	.765	6.75	10.24	9.69	4.00	15.50	11.41	7.55	23.32
		564.9	250.7	674.1	101.6	12.7	47.6	69.9	19.4	171.5	260.1	246.1	101.6	393.7	289.8	191.8	592.3
EN14RDL	081488	22.24	30.14	26.54	4.00	.50	1.875	2.75	.765	6.75	10.24	9.69	4.00	15.50	11.41	7.55	23.32
		564.9	765.6	674.1	101.6	12.7	47.6	69.9	19.4	171.5	260.1	246.1	101.6	393.7	289.8	191.8	592.3



This document is for informational purposes only and should not be considered as a binding description of the products or their performance in all applications. The performance data on this page depicts typical performance under controlled laboratory conditions. AMETEK is not responsible for blowers driven beyond factory specified speed, temperature, pressure, flow or without proper alignment. Actual performance will vary depending on the operating environment and application. AMETEK products are not designed for and should not be used in medical life support applications. AMETEK reserves the right to revise its products without notification. The above characteristics represent standard products. For product designed to meet specific applications, contact AMETEK Technical & Industrial Products Sales department.